

| | | | |
|-----------------|---------------------------------|------------|-------------------------|
| Model | Applicable To | File Under | Bulletin No. |
| 1997 PRELUDE | Thru VIN JHMBB6 ... VC000014 | BODY | 97-048 |
| | | | Issue Date JULY 1997 |

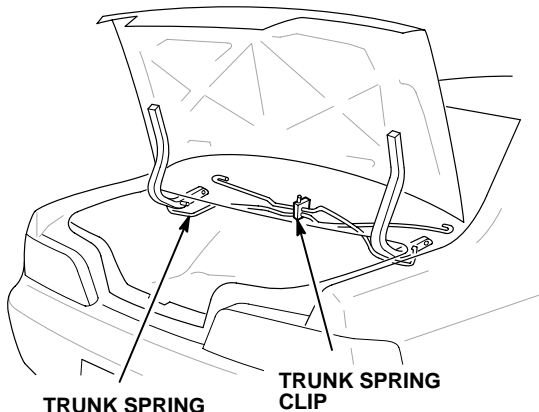
Clunking Noise From the Trunk Area

SYMPTOM

A clunking noise from the trunk area when opening and closing the trunk lid or when driving over bumps.

PROBABLE CAUSE

The trunk spring clip is out of its mounting holes.



CORRECTIVE ACTION

Replace the trunk spring clip.

PARTS INFORMATION

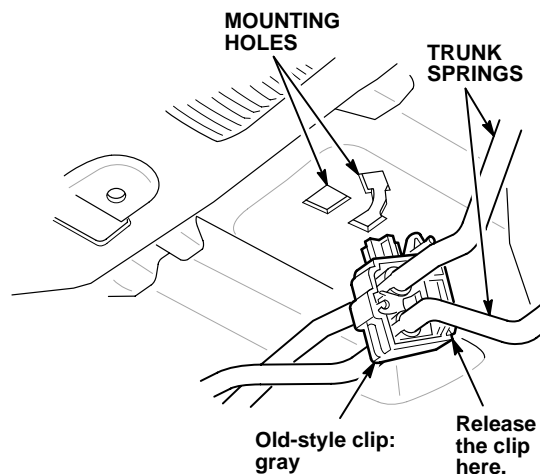
Trunk Spring Clip: P/N 74873-S30-003

WARRANTY CLAIM INFORMATION

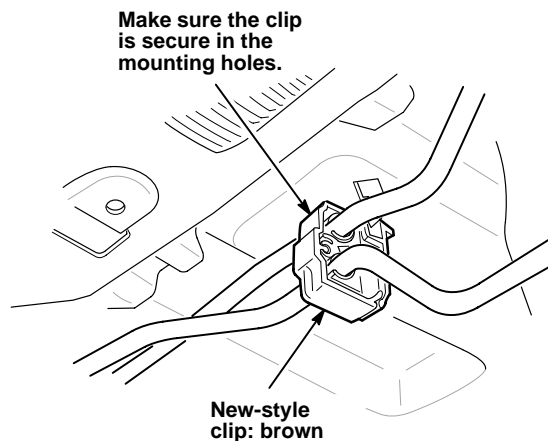
In warranty: The normal warranty applies.

REPAIR PROCEDURE

1. Check to see if the trunk spring clip is out of its mounting holes.



2. If the clip is out, remove it using a pocket screwdriver.
3. Install the new trunk spring clip (see PARTS INFORMATION), making sure the tabs mount securely in the mounting holes.



4. Open and close the trunk lid to confirm the clunking noise is gone.