

Model  
**1998  
ODYSSEY**

Applicable To  
**THRU VIN  
JHMRA3...WC203096**

File Under  
**BODY**

Bulletin No.  
**98-025**  
Issue Date  
**APRIL 1998**

## Squeak From the Dashboard

### SYMPTOM

When driving over bumps, a squeaking sound is heard coming from the dashboard right in front of the driver.

### PROBABLE CAUSE

The visor surrounding the instrument panel is rubbing against the lens.

### CORRECTIVE ACTION

Install wool felt on the visor to insulate it from the lens.

### REQUIRED MATERIALS

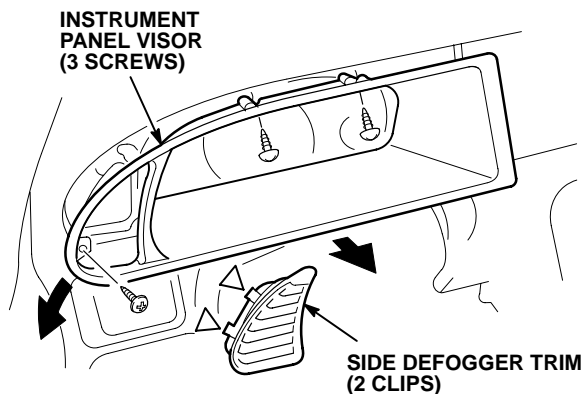
Wool Felt: P/N 06993-SA5-000

### WARRANTY CLAIM INFORMATION

**In warranty:** The normal warranty applies.

### REPAIR PROCEDURE

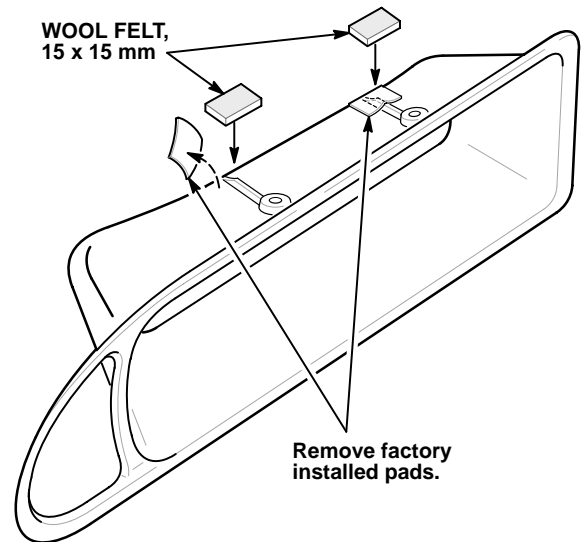
1. Remove the side defogger trim.



2. Remove the three mounting screws; then remove the instrument panel visor by lifting it out on the left side, and then pulling it out and away from the center of the dashboard.

3. Cut two 15 x 15 mm pieces of wool felt.

4. Remove the factory-installed pads from the upper ribs.



5. Apply the pieces of wool felt to the upper ribs of the visor.
6. Reinstall the instrument panel visor and side defogger trim.