



Applies To: **2000 Odyssey – ALL**
2001 Odyssey – From VIN 2HKRL1...1H700001 thru 2HKRL1...1H700603

August 2001

Tailgate Spoiler Is Cracked or Seal Is Hanging

PROBLEM

The tailgate spoiler is cracked at or near the rear window washer nozzle or the spoiler seal is hanging from the top of the rear window.

CORRECTIVE ACTION

Replace the tailgate spoiler.

PARTS INFORMATION

Tailgate Spoiler: P/N 74900-S0X-A02

WARRANTY CLAIM INFORMATION

In warranty: The normal warranty applies.

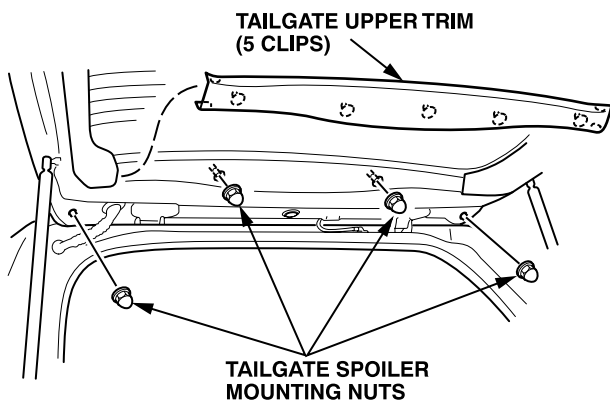
Flat Rate Time: 0.4 hour

Failed Part: P/N 74900-S0X-A01

Defect Code: 017

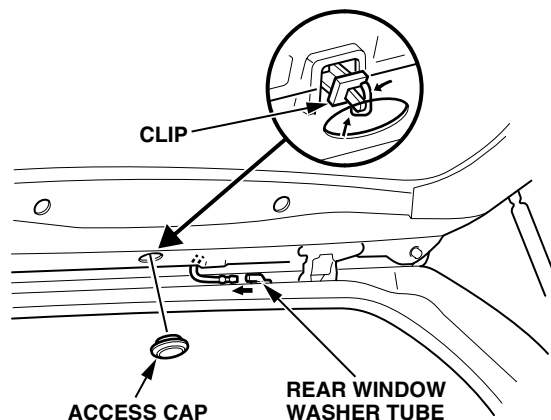
REPAIR PROCEDURE

1. Remove the tailgate upper trim (five clips).

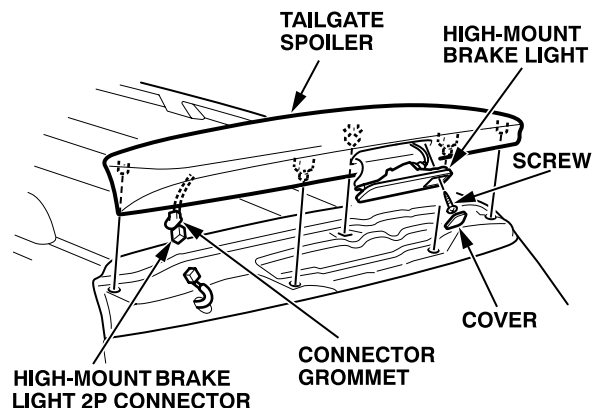


2. Remove the tailgate spoiler mounting nuts.

3. Disconnect the rear window washer tube. Remove the access cap from the tailgate, and detach the clip.



4. Gently close the tailgate, then lift up on the tailgate spoiler. Remove the high-mount brake light connector grommet from the tailgate, and unplug the high-mount brake light 2P connector. Remove the tailgate spoiler, taking care not to scratch the tailgate and the body.



5. Wipe the tailgate spoiler mounting surfaces on the tailgate with a clean shop towel.
6. Remove the high-mount brake light from the old tailgate spoiler (1 cover, 1 screw), and install it on the new spoiler.
7. Carefully position the new tailgate spoiler on the tailgate. Plug in the high-mount brake light 2P connector, and reinstall the connector grommet.

8. Push down on the tailgate spoiler, and gently raise the tailgate.
9. Reattach the clip, and reinstall the access cap.
Reconnect the rear window washer tube.
10. Reinstall the mounting nuts on the tailgate spoiler.
Torque the nuts to 9.8 N-m (7.2 lb-ft).
11. Reinstall the tailgate upper trim.