

Model

Applicable To

File Under

Bulletin No.

ALL

ALL with Anti-Theft
Audio Units

PDI

98-026

Issue Date

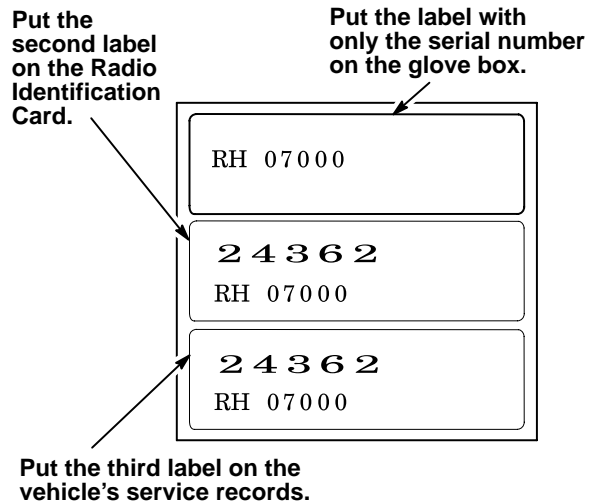
JULY 1998

Audio Unit Anti-Theft Code Labels

BACKGROUND

This service bulletin describes where to put the audio unit anti-theft labels that come in the glove box of vehicles equipped with anti-theft audio systems.

If a vehicle has an anti-theft audio system, there are three peel-off labels in the glove box. Two of the labels have both the anti-theft code and the audio unit's serial number, and a third label contains only the serial number for the audio unit.



During PDI, put the label with only the serial number on the glove box. If the radio code ever needs to be retrieved through AHM's Warranty Department, this will save you the time and labor of removing the audio unit to record the serial number.

NOTES:

- Also perform this procedure when installing an accessory audio unit that is equipped with an anti-theft system.
- If a remanufactured audio unit is installed in a vehicle, remove the old labels, and put a new label on the glove box, Radio Identification Card, and the vehicle's service records.
- If the glove box is ever replaced, transfer the labels from the old glove box to the new one.

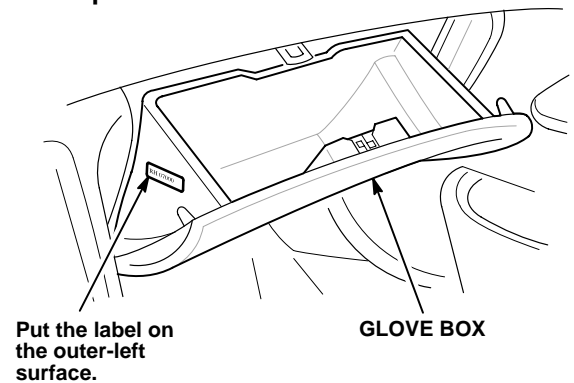
WARRANTY CLAIM INFORMATION

None. This bulletin is for information only.

PROCEDURE

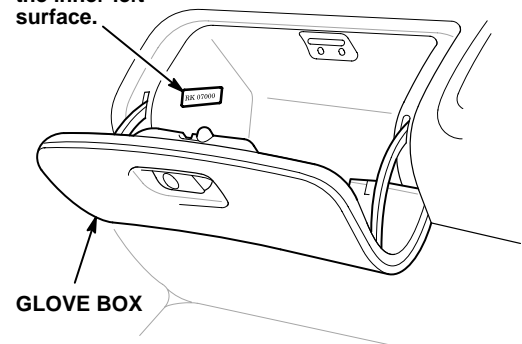
1. Put the label containing only the serial number information on the glove box.

All except Accord:



Accord:

Stick the label to the inner-left surface.



2. Put the remaining two labels on the Anti-Theft Radio Identification Card and on the vehicle's service records.