



Applies To: **1999 Legend** – ALL  
**2000 Legend** – From VIN JHMKA9...YC200001 thru JHMKA9...YC200467

**May 2000**

## Squeak or Crunch From the Driver's Seat

### SYMPTOM

The driver's seat-back makes squeaking or crunching noises when the driver moves in the seat.

### PROBABLE CAUSE

The seat cushion foam is rubbing on the seat frame.

### CORRECTIVE ACTION

Apply cloth tape to the seat-back frame.

### PARTS INFORMATION

Back Cover Clip (3 required): P/N 91566-SP0-003

### REQUIRED MATERIALS

Scotch Automotive Cloth Tape: 3M P/N 021200-06980

NOTE: Use only Scotch Automotive Cloth Tape. The adhesive of this tape will withstand the extreme temperatures of the vehicle interior.

One roll of tape will repair three seat-backs.

### WARRANTY CLAIM INFORMATION

**In warranty:** The normal warranty applies.

Operation Number: 851007

Flat Rate Time: 1.2 hour

Failed Part: 81522-SZ3-A81

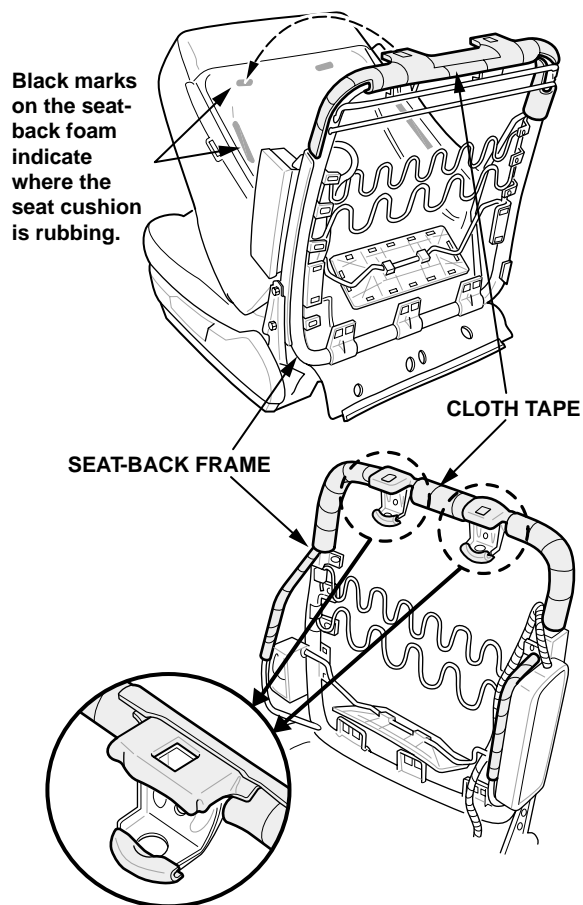
Defect Code: 042

### DIAGNOSIS

While sitting in the driver's seat, move your shoulders from side-to-side. If the seat squeaks or crunches, go to REPAIR PROCEDURE.

### REPAIR PROCEDURE

1. Remove the driver's seat-back cover. Refer to the 1996-00 Legend Shop Manual.
2. Remove the foam cushion from the seat frame.
3. Apply the cloth tape to the seat frame as shown.



4. Reinstall the foam cushion on the seat frame.
5. Reinstall the driver's seat-back cover.
6. Put three new back cover clips on the back cover, then reinstall the cover.



Applies To: **1999 Legend** – ALL  
**2000 Legend** – From VIN JHMKA9...YC200001 thru JHMKA9...YC200467

**May 2000**

## Squeak or Crunch From the Driver's Seat

### SYMPTOM

The driver's seat-back makes squeaking or crunching noises when the driver moves in the seat.

### PROBABLE CAUSE

The seat cushion foam is rubbing on the seat frame.

### CORRECTIVE ACTION

Apply cloth tape to the seat-back frame.

### PARTS INFORMATION

Back Cover Clip (3 required): P/N 91566-SP0-003

### REQUIRED MATERIALS

Scotch Automotive Cloth Tape: 3M P/N 021200-06980

NOTE: Use only Scotch Automotive Cloth Tape. The adhesive of this tape will withstand the extreme temperatures of the vehicle interior.

One roll of tape will repair three seat-backs.

### WARRANTY CLAIM INFORMATION

**In warranty:** The normal warranty applies.

Operation Number: 851007

Flat Rate Time: 1.2 hour

Failed Part: 81522-SZ3-A81

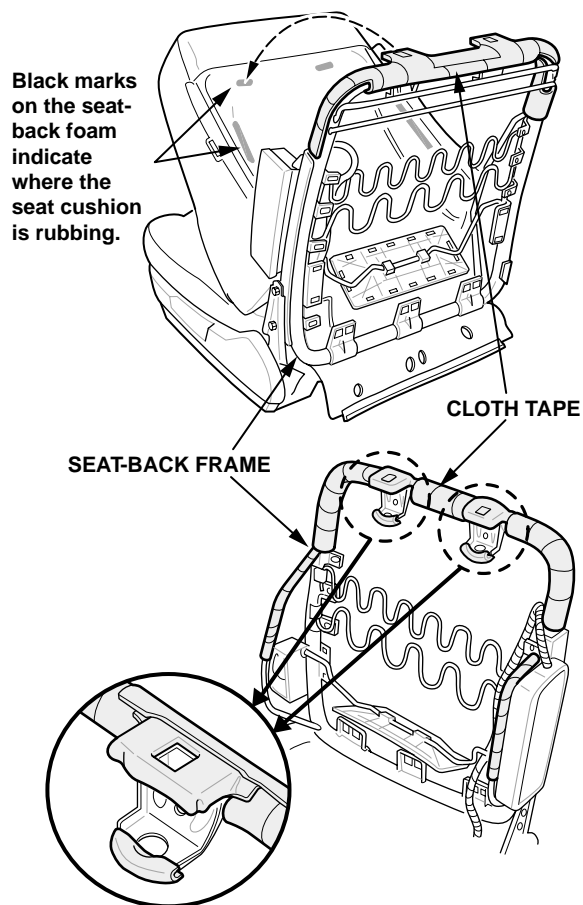
Defect Code: 042

### DIAGNOSIS

While sitting in the driver's seat, move your shoulders from side-to-side. If the seat squeaks or crunches, go to REPAIR PROCEDURE.

### REPAIR PROCEDURE

1. Remove the driver's seat-back cover. Refer to the 1996-00 Legend Shop Manual.
2. Remove the foam cushion from the seat frame.
3. Apply the cloth tape to the seat frame as shown.



4. Reinstall the foam cushion on the seat frame.
5. Reinstall the driver's seat-back cover.
6. Put three new back cover clips on the back cover, then reinstall the cover.