

Applies To: **1996-99 Legend** – ALL**2000 Legend** – From VIN JHMKA9620YC200001 thru JHMKA9620YC200354  
– From VIN JHMKA962\*YC400001 thru JHMKA962\*YC400044**May 2000**

## Rattle From the Moonroof

### SYMPTOM

Rattle from the rear of the moonroof while driving over rough or bumpy roads with the sunshade open.

### PROBABLE CAUSE

The coating has worn off the rear edge of the rubber seal on the moonroof.

### CORRECTIVE ACTION

Replace the moonroof glass.

### PARTS INFORMATION

Roof Glass Assembly: P/N 70200-SZ3-A01

### WARRANTY CLAIM INFORMATION

The normal warranty applies.

Operation Number: 814110

Flat Rate Time: 0.5 hour

Failed Part: P/N 70200-SZ3-A01

Defect Code: 043

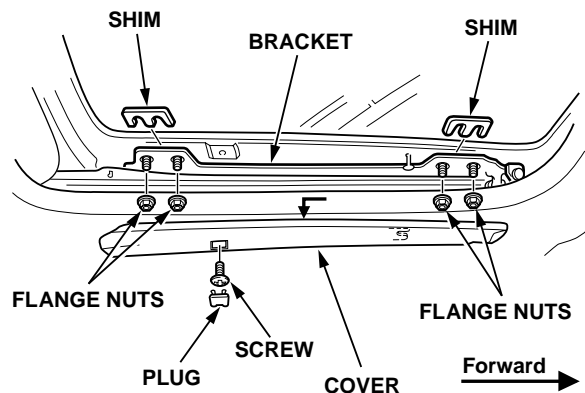
### DIAGNOSIS

1. Open the sunshade.
2. Listen for a squeaking or crunching noise while pushing up on the rear of the moonroof glass and then letting go. Do this several times if needed.
  - If you do *not* hear a squeaking or crunching noise, look for other possible causes.
  - If you hear a squeaking or crunching noise, go to REPAIR PROCEDURE.

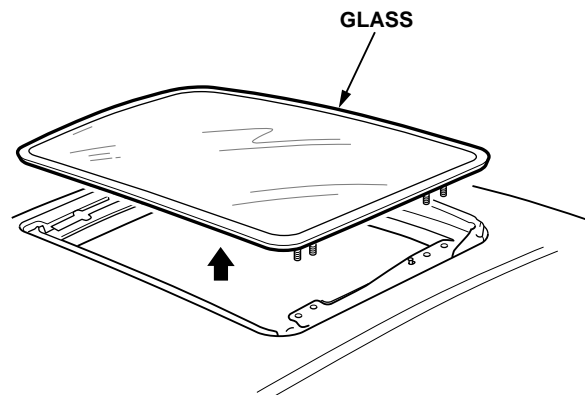
### REPAIR PROCEDURE

1. Close the moonroof completely.
2. Slide the sunshade all the way back.

3. Remove the cover from the moonroof glass bracket (one plug and one screw), then remove the four flange nuts from the bracket. Note the number and location of shims (if any), then remove them.



4. Repeat step 3 for the other side.
5. Carefully lift out the glass. Discard the glass.



6. Install the new glass and any shims you removed in step 3. Torque the flange nuts to 9 N·m.
7. Check the alignment and the glass height, and adjust if needed.
8. Check for water leaks.
9. Reinstall the covers for the glass brackets.