

Model	Applicable To	File Under	Bulletin No.
1997 – 98 CR-V	Thru VIN JHLRD1...WC206661	BODY	98-036
			Issue Date MAY 1998

## Rust Stains on Rear Emblems

### SYMPTOM

Rust stains on or near the “CR-V” emblems on the rear license plate trim.

### PROBABLE CAUSE

The metal push nuts that attach the emblems to the license plate trim are corroded.

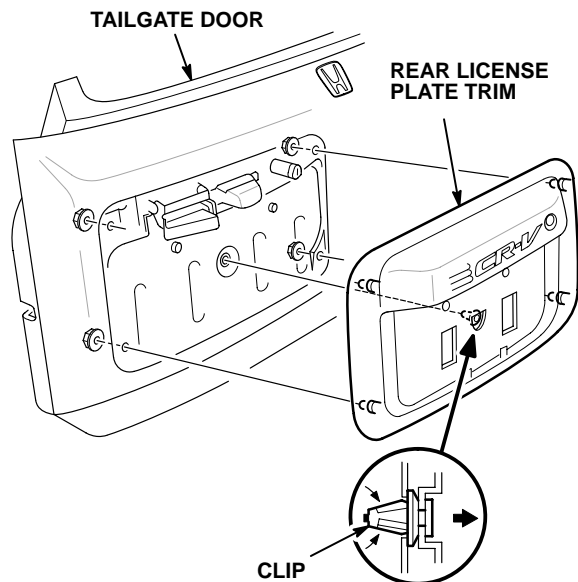
### CORRECTIVE ACTION

Replace all four emblems and their push nuts.

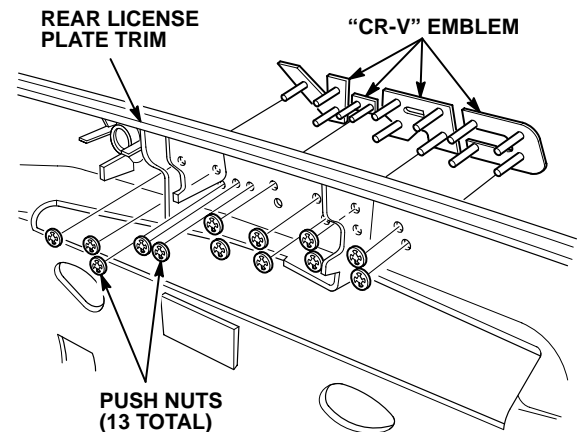
NOTE: Be sure to replace all the emblems and push nuts, even if only one emblem is corroded.

### REPAIR PROCEDURE

1. Remove the license plate from the rear license plate trim.
2. Remove the tailgate door panel, as described in the Body section of the 1997–1998 CR-V Shop Manual.
3. Remove the four nuts, detach the clip, and remove the license plate trim from the tailgate door.



4. Working from the back side of the license plate trim, remove the push nuts from the four existing emblems. Discard the emblems and push nuts.
5. Wipe the rear emblem mounting surfaces of the license plate trim (both front and back side) with a clean shop towel.
6. Insert the four new emblems into their appropriate mounting holes in the front side of the license plate trim, and secure them on the back side with the new push nuts (13 total).



7. Reinstall the license plate trim, and secure it with the four nuts and the clip. Torque the nuts to 1.8 N-m (1.3 lb-ft).
8. Reinstall the tailgate door panel.
9. Reinstall the license plate.

### PARTS INFORMATION

Rear Emblem “C”	P/N 75765-S10-900
Rear Emblem “R”	P/N 75765-S10-910
Rear Emblem “-” (Dash)	P/N 75765-S10-930
Rear Emblem “V”	P/N 75765-S10-920
Push Nut (13 required)	P/N 33701-S10-010

### WARRANTY CLAIM INFORMATION

The normal warranty applies.