

Model

Applicable To

File Under

Bulletin No.

1996-00
CIVIC

ALL



99-089

Issue Date
DEC 1999

Hood Release Handle Breaks

PROBLEM

The hood release handle is broken.

CORRECTIVE ACTION

Replace the hood opener cable.

PARTS INFORMATION

Hood Opener Cable: P/N 74130-S01-A01

WARRANTY CLAIM INFORMATION

The normal warranty applies.

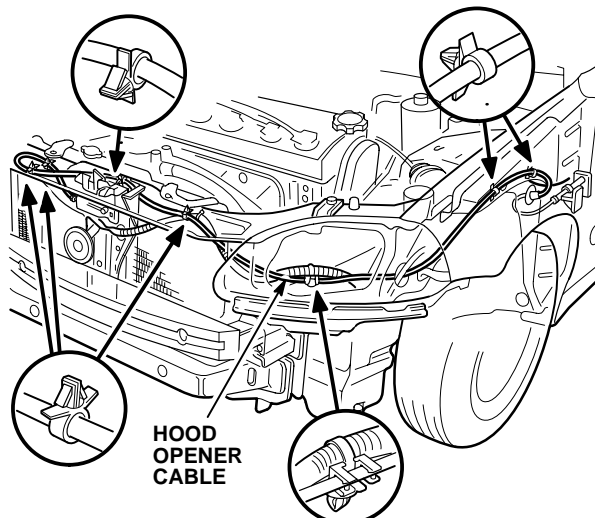
Flat rate time: 0.8 hour

Failed part: P/N 74130-S01-A01

Defect code: 018

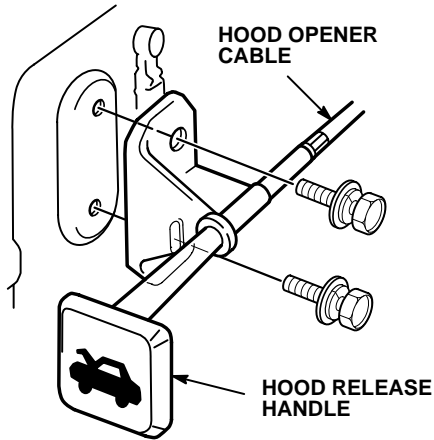
REPAIR PROCEDURE

1. Remove the front bumper (see the appropriate shop manual).
2. Remove the left inner fender (see the appropriate shop manual).
3. Remove the power steering reservoir.
4. Release the four clips that attach the hood opener cable to the front bulkhead. Remove the clips from the hood opener cable; save the clips.

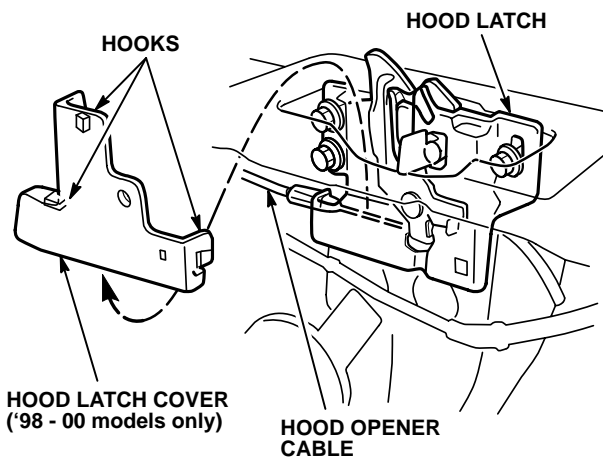


5. Detach the hood opener cable from the electrical harness clip behind the left front headlight.
6. Release the two clips that attach the hood opener cable to the frame. Remove the clips from the cable; save the clips.

- Remove the driver's kick panel, then remove the hood release handle (two bolts).



- '98–00 models only: Remove the hood latch cover.



- Detach the hood opener cable from the hood latch.
- From inside the passenger compartment, pull out the rubber grommet for the hood opener cable, then pull the hood opener cable out through the hole in the body. Discard the hood opener cable and the rubber grommet.
- Route the end of the new hood opener cable through the hole in the body, into the fender well, through the hole in the body near the left front headlight, and out to the hood latch.
- Install the hood release handle. Torque the bolts to 9.8 N·m.
- Press the rubber grommet for the hood opener cable into place. Reinstall the driver's kick panel.
- Attach the end of the hood opener cable to the hood latch.

- '98–00 models only: Reinstall the hood latch cover.
- Attach the two clips to the hood opener cable, and snap the clips into the mounting holes in the frame.
- Attach the hood opener cable to the electrical harness clip behind the left front headlight.
- Attach the four clips to the hood opener cable, and snap the clips into the mounting holes in the front bulkhead.
- Reinstall the power steering reservoir.
- Reinstall the left inner fender.
- Reinstall the front bumper.
- Pull the hood release handle, and make sure the hood opens and closes properly.