

Model

Applicable To

File Under

Bulletin No.

1998 CIVIC

2-DOOR



98-079

Issue Date  
NOV 1998

## Noise From the Rear Shelf

### SYMPTOM

When driving over rough roads, a rattling or buzzing noise is heard from one corner or both corners of the rear shelf.

### PROBABLE CAUSE

The ribs on the bottom of the rear shelf are touching the sheet metal.

### CORRECTIVE ACTION

Apply EPT Sealer 5T to the bottom edges of the rear shelf.

### REQUIRED MATERIALS

EPT Sealer 5T: P/N 06991-SA5-000

### WARRANTY CLAIM INFORMATION

The normal warranty applies.

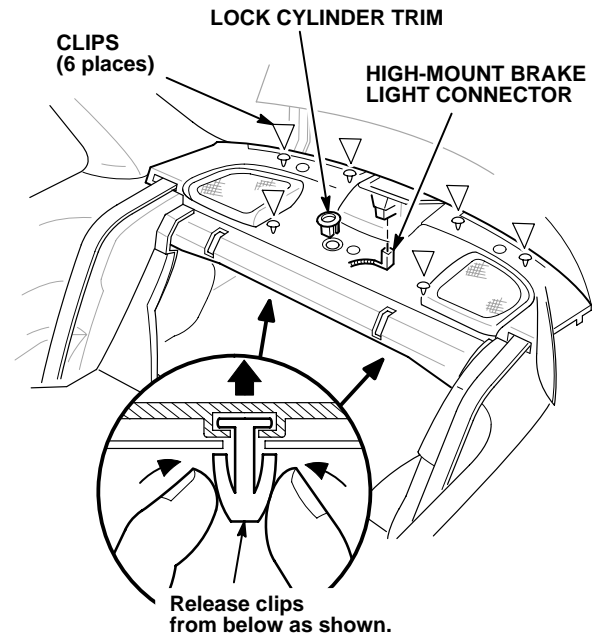
Failed part: P/N 84503-S02-A00ZB

Defect code: 045

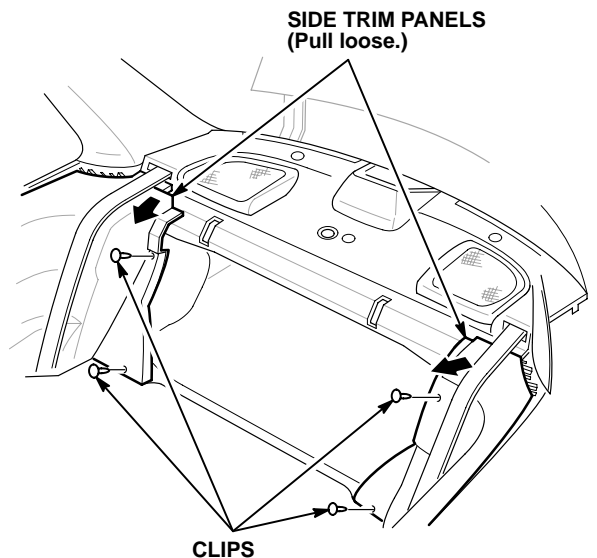
### REPAIR PROCEDURE

1. Fold down the rear seat-backs.

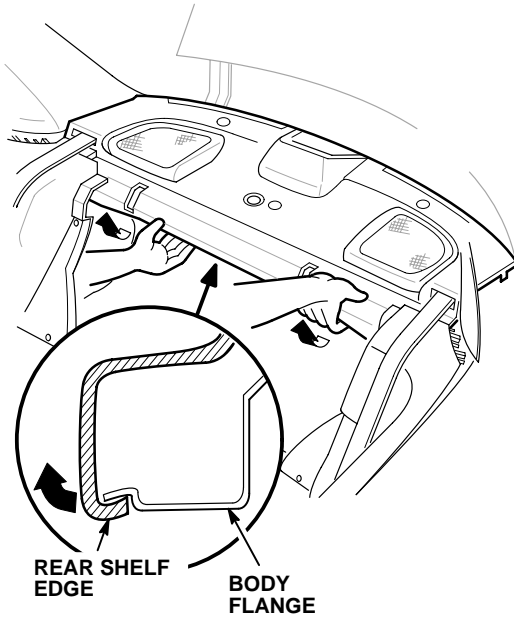
2. From inside the trunk, remove the lock cylinder trim, and release the six clips holding the rear shelf to the body.



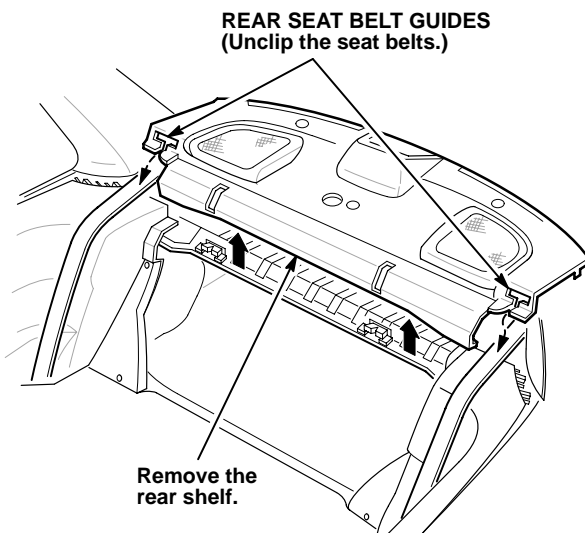
3. Unplug the high-mount brake light connector.
4. Remove the four side trim panel clips, and pull the left and right side trim panels loose.



5. Pull the rear shelf edge toward you to release it from the body flange.

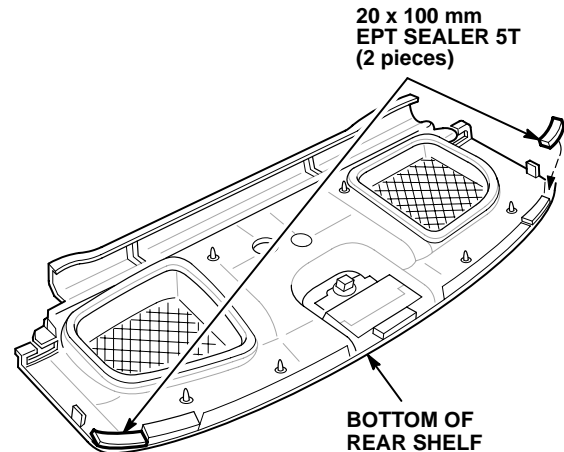


6. Pull up on the rear shelf to clear the side trim panels.
7. Remove the left and right seat belts from the rear seat belt guides.

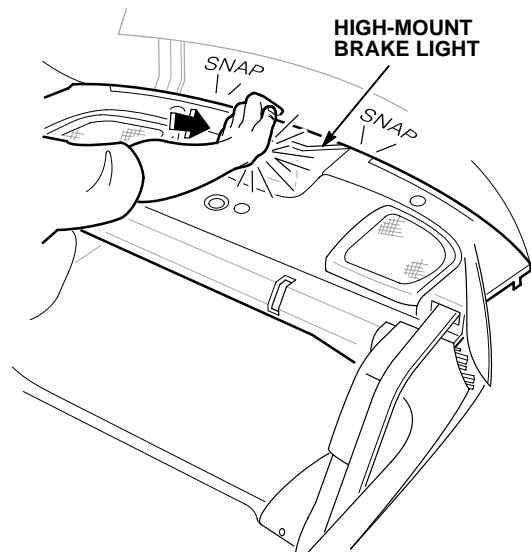


8. Remove the rear shelf from the vehicle.

9. Cut two 20 x 100 mm pieces of EPT Sealer 5T. Apply the pieces to the bottom of the rear shelf as shown.



10. Reinstall the rear shelf, and line up the left and right edges with the left and right quarter trim panels. Gently fold down the side trim panels to clear the rear shelf.
11. Reinstall the left and right seat belts into the rear seat belt guides; make sure the belts are not twisted or kinked.
12. Using the palm of your hand, strike the back of the high-mount brake light to set the two rear shelf clips.



13. Push down on the top of the rear shelf to set the six clips.
14. Reinstall the rear shelf edge to the body flange.
15. Reinstall the side trim panels and the lock cylinder trim, and plug in the high-mount brake light connector.
16. Test-drive the vehicle over rough roads to verify the noise is gone.