

Model	Applicable To	File Under	Bulletin No.
1996 – 97 CIVIC	ALL	BODY	97-042
			Issue Date JUNE 1997

## Headlight Trim Is Loose

### SYMPTOM

The rubber headlight trim is coming loose.

### PROBABLE CAUSE

Poor adhesion of the headlight trim to the headlight housing.

### CORRECTIVE ACTION

Reattach the headlight trim to the headlight housing.

### REQUIRED MATERIALS

3M General Purpose Cleaner: 3M P/N 051135-08984 (or equivalent).

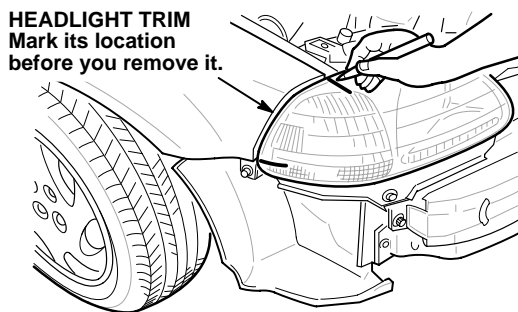
3M Weatherstrip Adhesive: 3M P/N 051135-08011 (or equivalent).

### WARRANTY CLAIM INFORMATION

**In warranty:** The normal warranty applies.

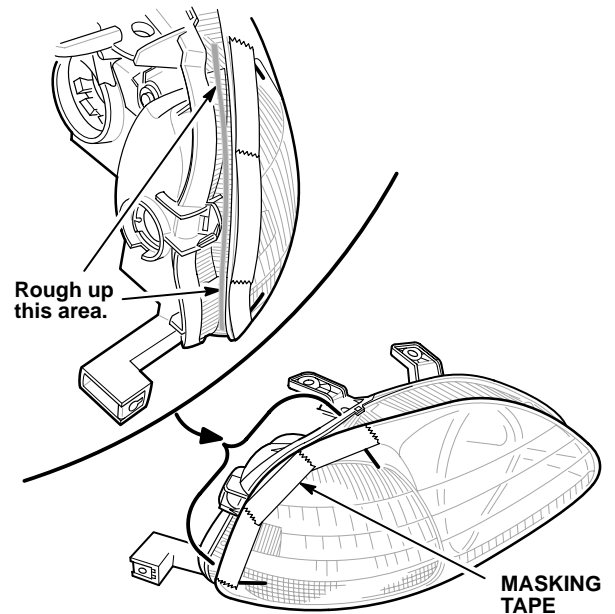
### REPAIR PROCEDURE

1. Carefully remove the front bumper. Refer to the Body section of the 1996 Civic Shop Manual.
2. Mark the location of the headlight trim on the headlight lens with a felt-tip pen.



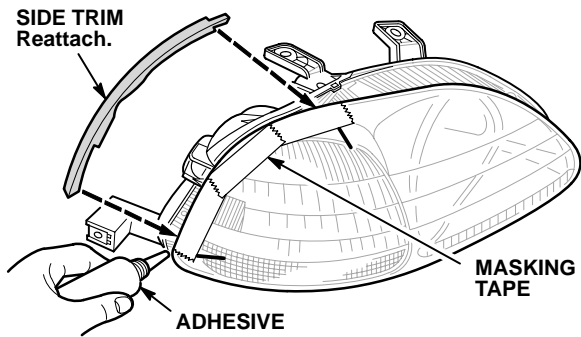
3. Remove the headlight housing from the vehicle.

4. Carefully remove the headlight trim from the headlight housing, then peel the double-sided tape from the trim. Clean the residue from the trim and the housing with 3M General Purpose Cleaner (see REQUIRED MATERIALS).
5. Protect the headlight lens with masking tape, then rough-up the area on the housing where the headlight trim was removed with 3M Scotch Brite or 200-grit wet/dry sandpaper.

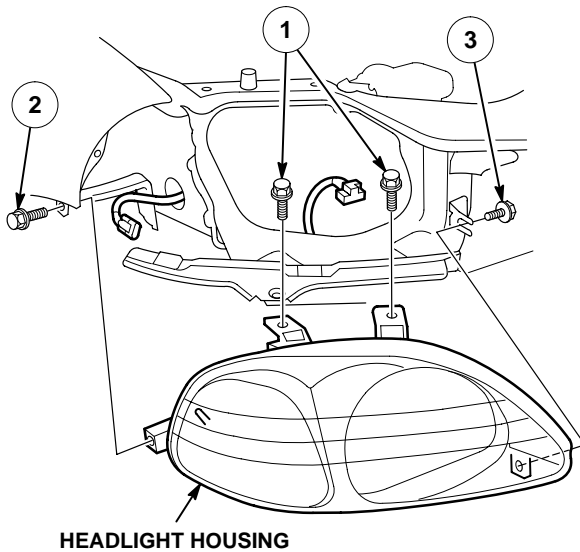


6. Clean the roughed-up area again with 3M General Purpose Cleaner, and allow the area to dry.

7. Apply a thin bead of 3M Weatherstrip Adhesive (see REQUIRED MATERIALS) to the headlight housing and headlight trim. When the adhesive becomes tacky, reattach the trim to the housing by aligning the trim with the marks you made in step 2.



8. Reconnect the connectors to the headlight housing, then reinstall the housing, and loosely install the four mounting bolts.
9. Torque the four mounting bolts to 9 N·m (1.0 kg·m) in sequence (① – ③). If this sequence is not followed, the headlight housing may be damaged.



10. Remove the masking tape and felt-tip pen marks from the headlight lens.
11. Reinstall the front bumper. Refer to the Body section of the 1996 Civic Shop Manual.