



Applies To: **2001 Accord – ALL**
2001 Civic – ALL

August 2001

Fog Light Lens Is Cracked or Damaged

SYMPTOM

The fog light lens is cracked or damaged.

PROBABLE CAUSE

Irregularities in the contact area between the fog light lens and the fog light body stress the lens. The lens may crack after it is heated during fog light operation and then exposed to cold water such as rain or a car wash.

CORRECTIVE ACTION

Replace the fog light assembly with an improved part.

PARTS INFORMATION

Fog Light Assembly, Left Side:
 P/N 08V31-S5D-1M102

Fog Light Assembly, Right Side:
 P/N 08V31-S5D-1M101

WARRANTY CLAIM INFORMATION

In warranty: The normal warranty applies.

Flat Rate Time: 0.5 hour

Failed Part: P/N 08V31-S84-100G

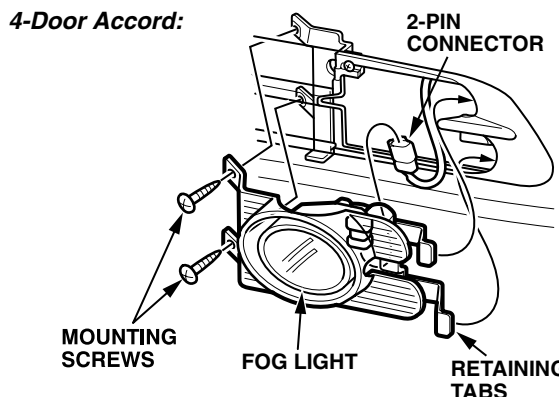
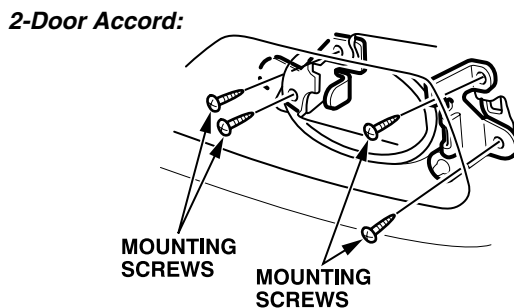
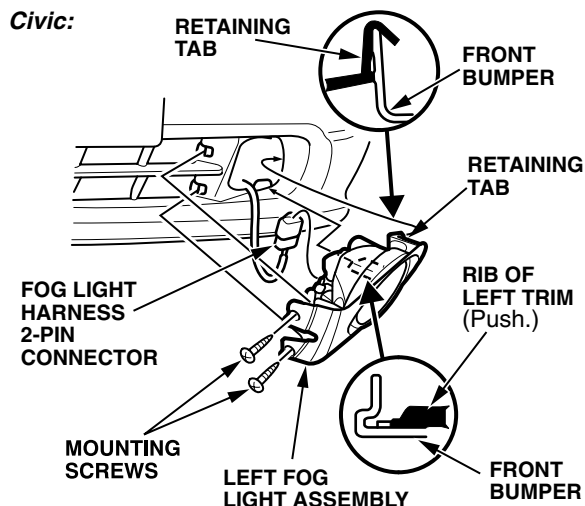
Defect Code: 017

DIAGNOSIS

Examine the fog light housing and surrounding areas to verify that the damage was not caused by an impact from road debris. A cracked lens may appear to have been damaged by road debris, but if there is no damage to the surrounding areas, replace both fog light assemblies with the improved parts.

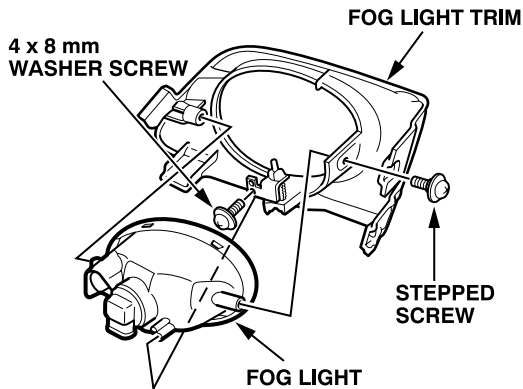
REPAIR PROCEDURE

1. For the Accord 2-door only, remove the fog light cover.
2. Remove the mounting screws that secure the fog light assembly to the vehicle.

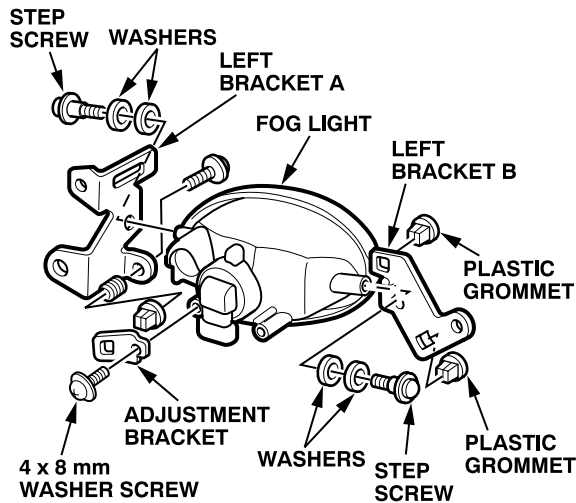


- Partially remove the fog light assembly to expose the connector; then disconnect the connector, and remove the fog light assembly.
- Transfer the mounting hardware from the old fog light to the new fog light.

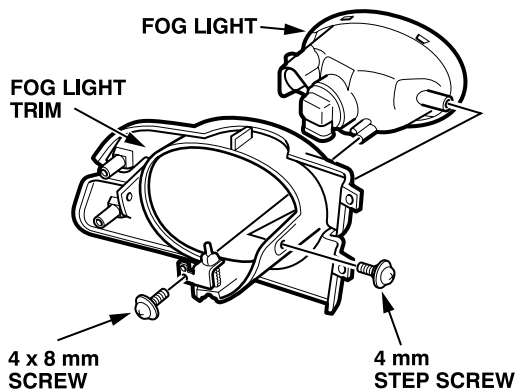
Civic:



2-Door Accord:



4-Door Accord:



- Reconnect the connector, and install the new fog light assembly.

- For the Accord 2-door only, install the fog light cover.
- Repeat steps 1 thru 6 for the other fog light.
- Aim the fog lights to comply with local regulations.