

Applies To: **1998-99 Civic** – ALL 2-door and 4-door models
2000 Civic – See VEHICLES AFFECTED

June 2000

Windshield Wipers Do Not Work Properly

SYMPTOM

The windshield wipers do not go to their parked position or do not shut off when you turn the windshield wiper/washer switch OFF.

PROBABLE CAUSE

Broken park position reed switch.

VEHICLES AFFECTED

KE:

2-door: From VIN 1HGEJ...YL900001 thru 1HGEJ...YL900991

KG:

2-door: From VIN 1HGEJ...YL90001 thru 1HGEJ...YL902222

KK:

2-door: From VIN 1HGEJ...YL500001 thru 1HGEJ...YL500034
4-door: From VIN 1HGEJ...YL500001 thru 1HGEJ...YL5000368

KX:

2-door: From VIN 1HGEJ...YL900001 thru 1HGEJ...YL900991
4-door: From VIN 1HGEJ...YL900001 thru 1HGEJ...YL902222

KY:

2-door: From VIN 1HGEJ...YL700001 thru 1HGEJ...YL700087

CORRECTIVE ACTION

Replace the windshield wiper motor.

PARTS INFORMATION

Windshield Wiper Motor: P/N 76574-S01-A07

WARRANTY CLAIM INFORMATION

In warranty: The normal warranty applies.

Operation Number: 740100

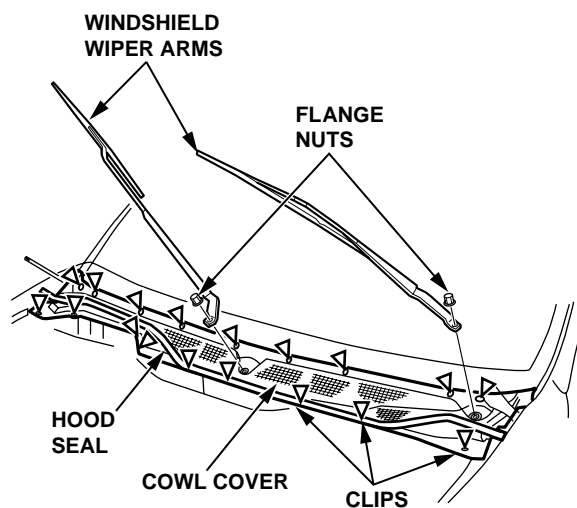
Flat Rate Time: 0.6 hour

Failed Part: P/N 76574-S01-A06

Defect Code: 072

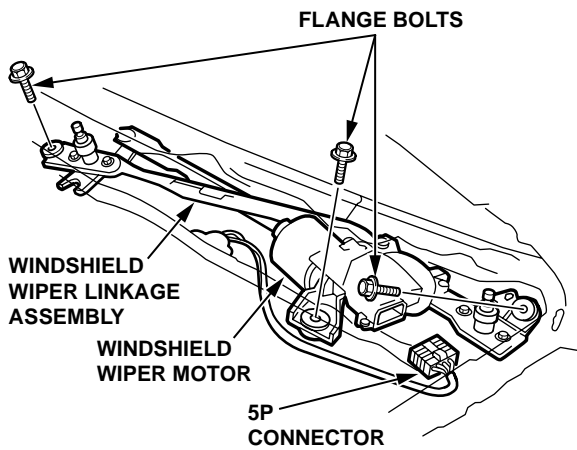
REPAIR PROCEDURE

1. Remove the windshield wiper arms (two flange nuts).

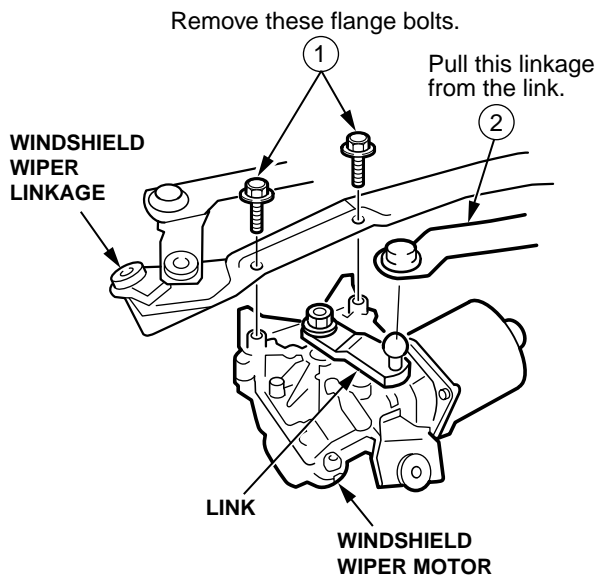


2. Pry out the clips (18 total), and remove the cowl cover and hood seal.

3. Unplug the 5P connector from the windshield wiper motor.



4. Remove the windshield wiper linkage assembly (three flange bolts).
5. Separate the motor from the linkage.



6. Install the new motor. Torque the new flange bolts to 8 N·m.
7. Reinstall the linkage assembly. Torque the flange bolts to 9.8 N·m.
8. Plug the 5P connector into the motor.
9. Turn the ignition switch ON (II).
10. Turn the windshield wiper/washer switch on (INT, LO, or HI), then to OFF. (This ensures the motor is in the parked position.)
11. Turn the ignition switch OFF.
12. Reinstall the cowl cover and hood seal.
13. Reinstall the windshield wiper arms. Torque the nuts to 18 N·m.
14. Check the operation of the windshield wipers to make sure they work properly.