



Fuse Box Cover Falls Off

PROBLEM

The cover for the under-dash fuse box (to the left of the steering column) falls off.

CORRECTIVE ACTION

Replace the spring clip on the cover.

VEHICLES AFFECTED

1996–99 Civic: All

2000 Civic:

4-door –From VIN 2HGEJ6...YH750001 thru
2HGEJ6...YH750236

From VIN 1HGEJ8...YL900001 thru
1HGEJ8...YL900421

From VIN 1HGEJ6...YL500001 thru
1HGEJ6...YL500114

3-door –From VIN 2HGEJ6...YH350001 thru
2HGEJ6...YH350038

2-door –From VIN 1HGEM1...YL600001 thru
1HGEM1...YL600391

From VIN 1HGEJ8...YL500001 thru
1HGEJ8...YL500020

From VIN 1HGEM1...YL900001 thru
1HGEM1...YL900241

PARTS INFORMATION

Spring Clip: P/N 90666-SD4-003

WARRANTY CLAIM INFORMATION

In warranty: The normal warranty applies.

Operation Number: 841125

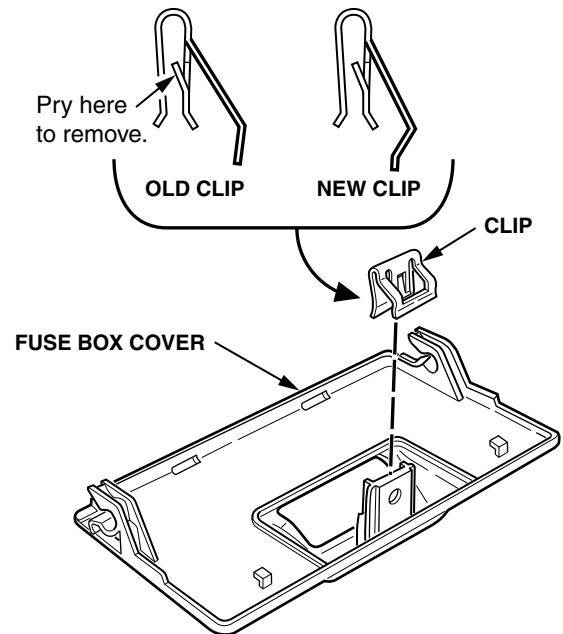
Flat Rate Time: 0.2 hour

Failed Part: P/N 90666-SD4-003

Defect Code: 004

REPAIR PROCEDURE

1. Remove the fuse box cover from the dashboard.
2. Use a small screwdriver to remove the clip from the fuse box cover. Discard the clip.



3. Install the new spring clip on the cover.
4. Install the cover in the dashboard and check that it fits tightly. If it does not, bend the spring clip arm up slightly.