

Applies To: **1996-99 Civic – ALL****February 2000****2000 Civic – KE 2-door from VIN 1HGEM11..YL600001 thru 1HGEM11..YL600391**

Rattle From the Hood

SYMPTOM

A rattle from the front of the vehicle when driving over rough roads or small bumps.

PROBABLE CAUSE

Excessive striker-to-latch clearance.

CORRECTIVE ACTION

Adjust the hood edge cushions and the hood latch.

WARRANTY CLAIM INFORMATION

In warranty: The normal warranty applies.

Operation Number: 812301

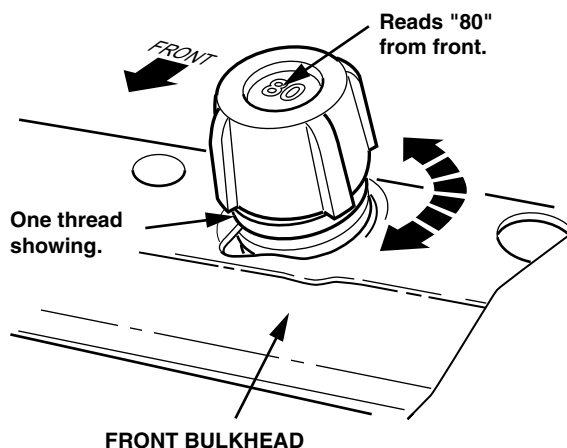
Flat Rate Time: 0.2 hour

Failed Part: P/N 74144-S01-A00

Defect Code: 043

REPAIR PROCEDURE

1. Adjust each hood edge cushion so only one thread is showing and the "80" on the top is in the position shown.



2. Loosen the hood latch mounting bolts, and adjust the latch so it is flush with the top of the bulkhead.

