

Model	Applicable To	File Under	Bulletin No.
1998 ACCORD	See VEHICLES AFFECTED	BODY	98-043
			Issue Date JUNE 1998

Creak From the Rear Shelf Area

SYMPTOM

The rear shelf creaks, usually when driving slowly and turning into a driveway.

PROBABLE CAUSE

Movement between the rear bulkhead supports and the bulkhead.

VEHICLES AFFECTED

KA 2-door L4: Thru VIN 1HGCG3 ...WA007699
KA 2-door V6: Thru VIN 1HGCG2 ...WA022588
KA 4-door L4: Thru VIN 1HGCG5 ...WA172905
Thru VIN 1HGCF8 ...WA173464
KA 4-door V6: Thru VIN 1HGCG1 ...WA046409
KK 2-door L4: Thru VIN 1HGCG3 ...WA500051
KK 4-door L4: Thru VIN 1HGCG5 ...WA500450
Thru VIN 1HGCF9 ...WA500530
KK 4-door V6: Thru VIN 1HGCG1 ...WA500191
KM 4-door L4: Thru VIN 1HGCG5 ...WA580241
Thru VIN 1HGCF8 ...WA580301
KU 4-door L4: Thru VIN 1HGCG5 ...WA402067
KU 4-door V6: Thru VIN 1HGCG1 ...WA400611

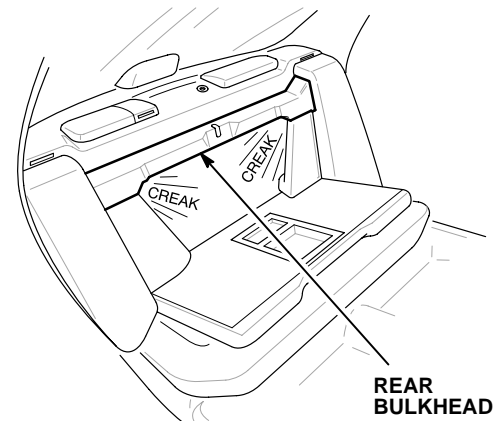
CORRECTIVE ACTION

Bend the lower-outer edge of both rear bulkhead supports away from the bulkhead to provide clearance.

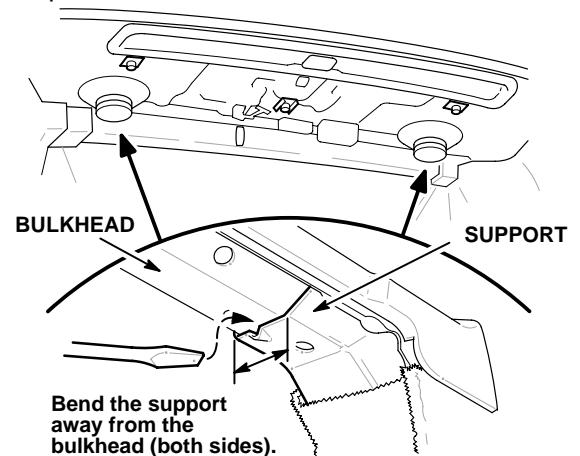
REPAIR PROCEDURE

1. Fold down the rear seat-back.
2. Have an assistant in the front passenger's seat listen to the back of the vehicle as you slowly drive over a bump or into a driveway while turning. (Replicating the creak is difficult unless you are driving slowly and turning at the same time.)
 - If either side of the rear bulkhead creaks, go to step 3.

- If another area is creaking, do not use this service bulletin. Instead, use Service Bulletin 98-013, *Creaking Noise from the Headliner, Windshield, and/or Rear Window* (filed under Body in your Service Bulletin binder).



3. Carefully bend the lower-outer edge of both rear bulkhead supports away from the bulkhead with a flat-tip screwdriver.



4. Test-drive the vehicle. If you still hear the creak, bend the edge of the support a little more, then repeat the test-drive.

WARRANTY CLAIM INFORMATION

In warranty: The normal warranty applies.

Failed part: P/N 84500-S84-A20ZA