

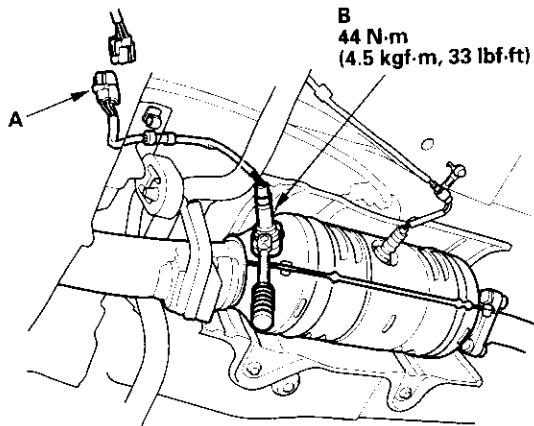


A/F Sensor Replacement

Special Tools Required

O2 sensor wrench, Snap-on YA8875, SP Tools 93750, or equivalent, commercially available

1. Disconnect the A/F sensor 4P connector (A), then remove the A/F sensor (B).



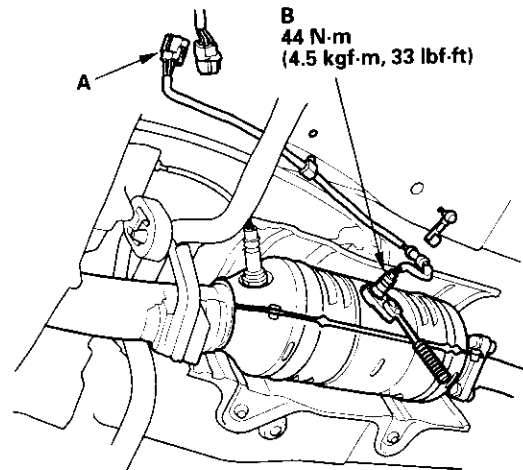
2. Install the A/F sensor in the reverse order of removal.

Secondary HO2S Replacement

Special Tools Required

O2 sensor wrench, Snap-on YA8875, SP Tools 93750, or equivalent, commercially available

1. Disconnect the secondary HO2S 4P connector (A), then remove the secondary HO2S (B).



2. Install the secondary HO2S in the reverse order of removal.