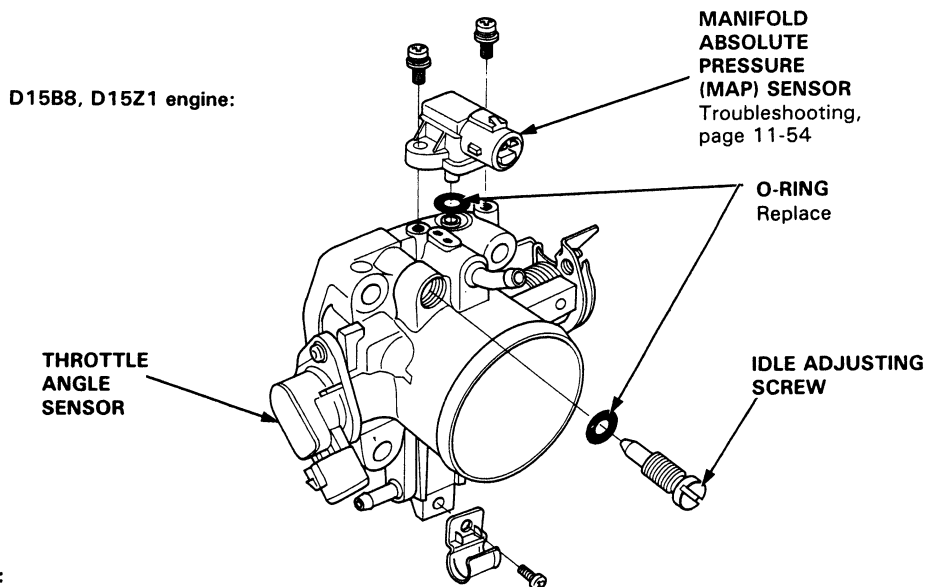


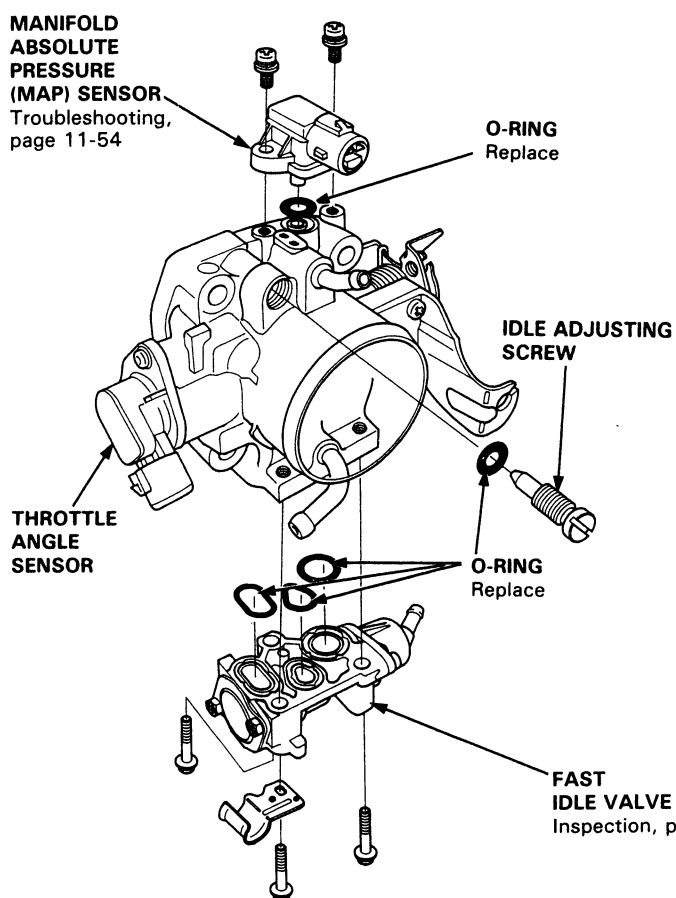


CAUTION:

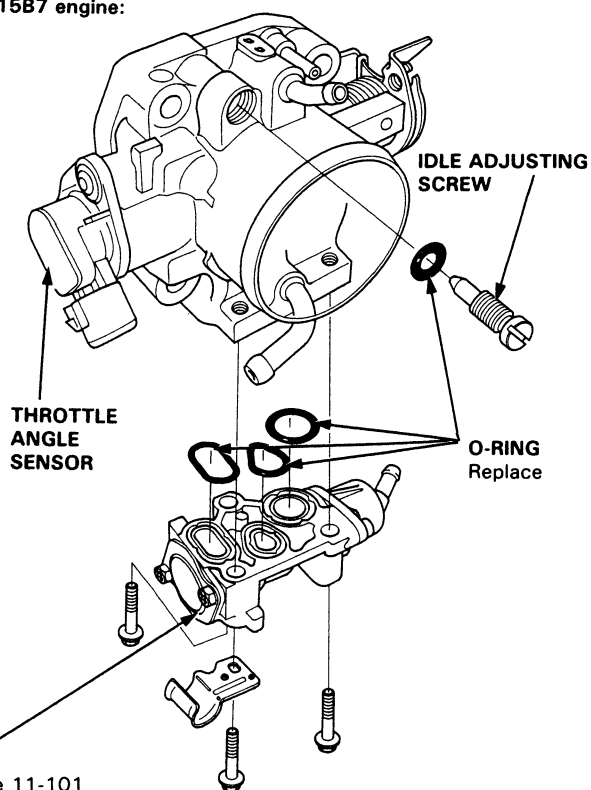
- The throttle stop screw is non-adjustable.
- After reassembly, adjust the throttle cable (page 11-123), and A/T throttle control cable (section 14) for cars with A/T.



D16Z6 engine:



D15B7 engine:



Air Intake System

Intake Manifold

