



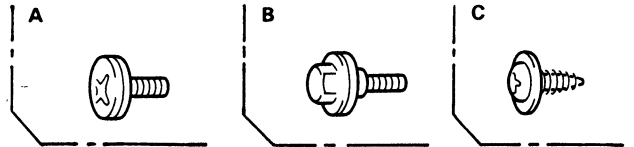
Front Bumper Replacement

Disassemble in numbered sequence.

NOTE:

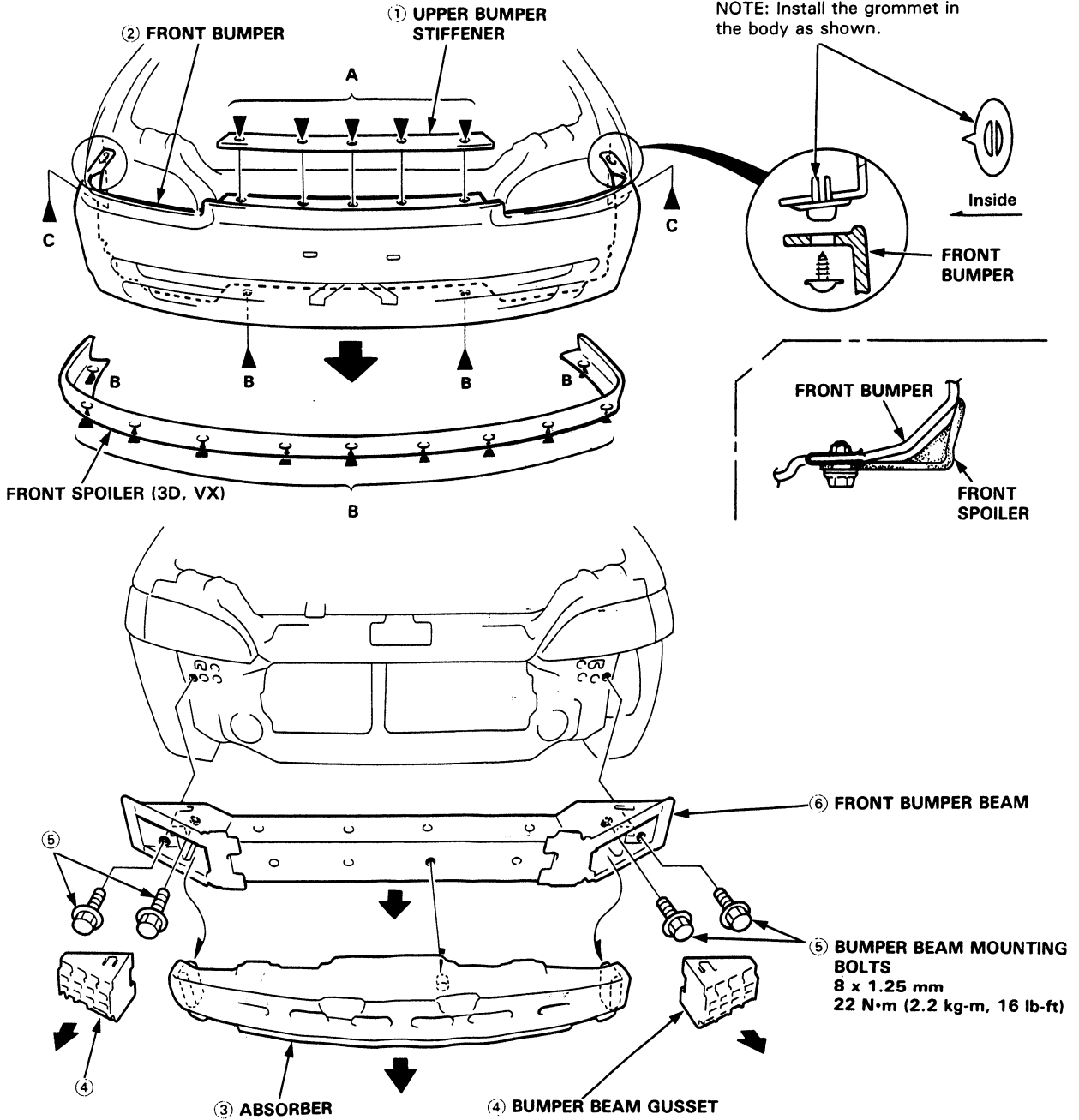
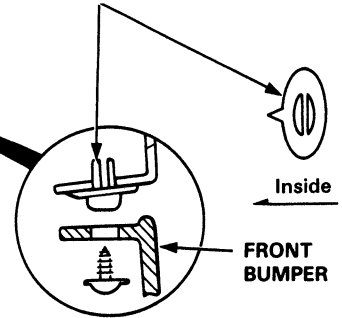
- An assistant is helpful when removing the front bumper and front bumper beam.
- Take care not to scratch the bumper.
- Open the hood.

▶: Bolt, screw locations



BUMPER SIDE GROMMET

NOTE: Install the grommet in the body as shown.



Installation is the reverse of the removal procedure.