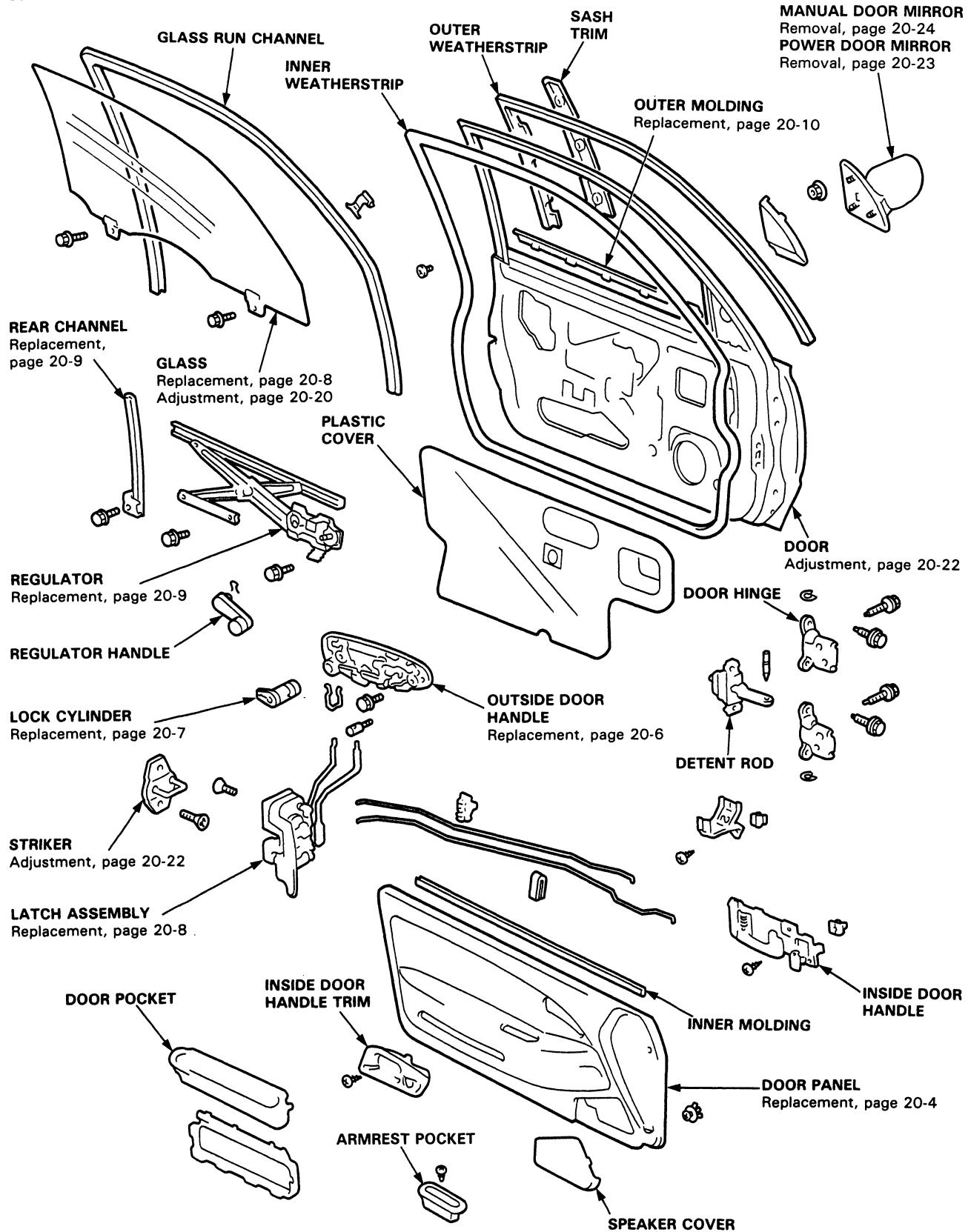




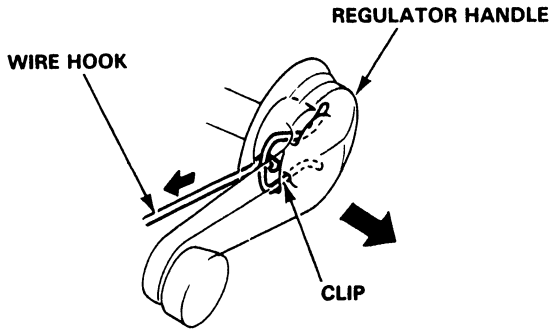
3D:



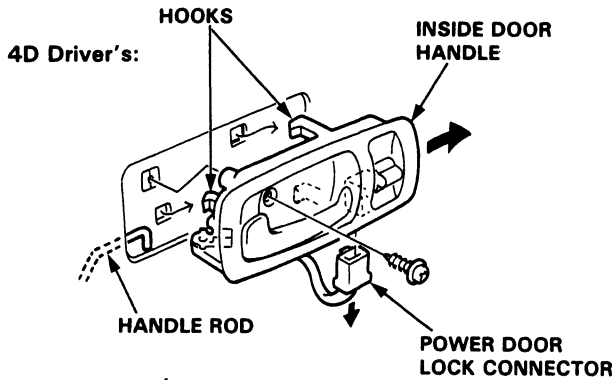
Front Door

Door Panel/Plastic Cover Replacement

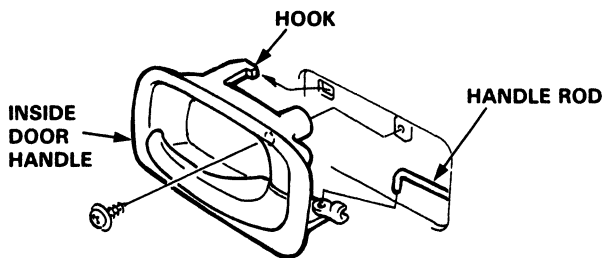
1. If applicable, remove the regulator handle by pulling the clip out with a wire hook.



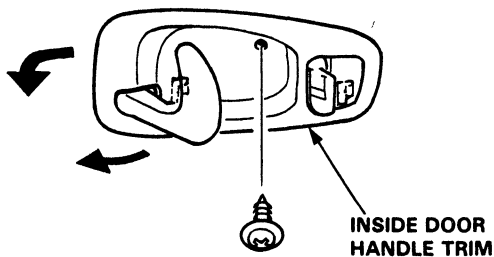
2. Remove the mounting screw, then pull the inside door handle out half-way and disconnect the handle rod and connector.



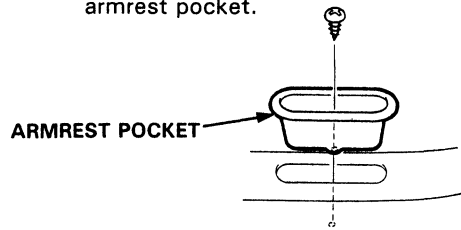
4D Passenger's:



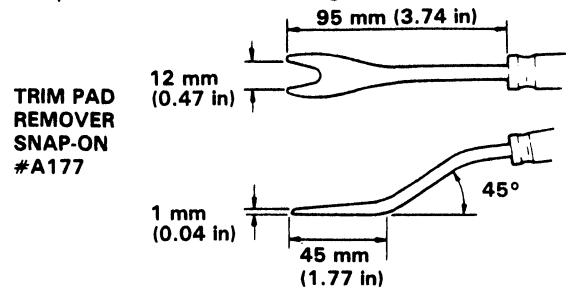
- 3D: Remove the mounting screw, then remove the trim while pulling the handle.



3. Remove the mounting screw, then remove the armrest pocket.

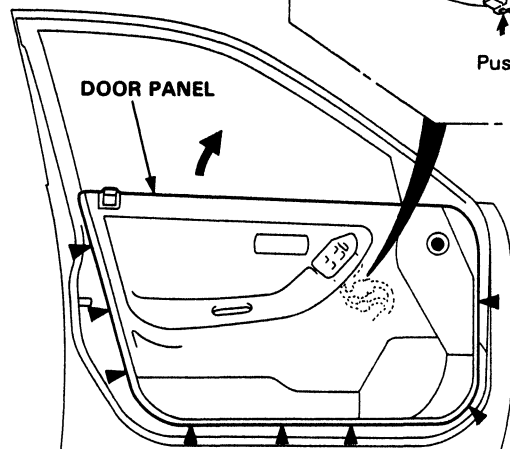
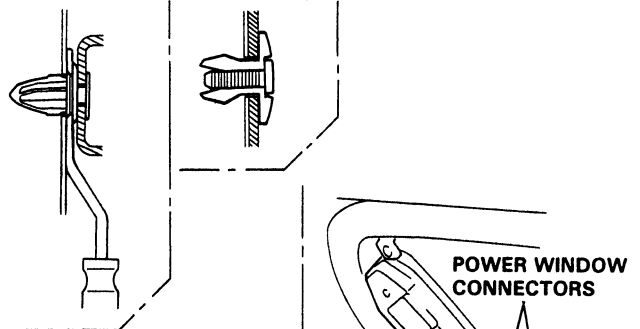


NOTE: Remove the panel with as little bending as possible to avoid creasing or breaking it.



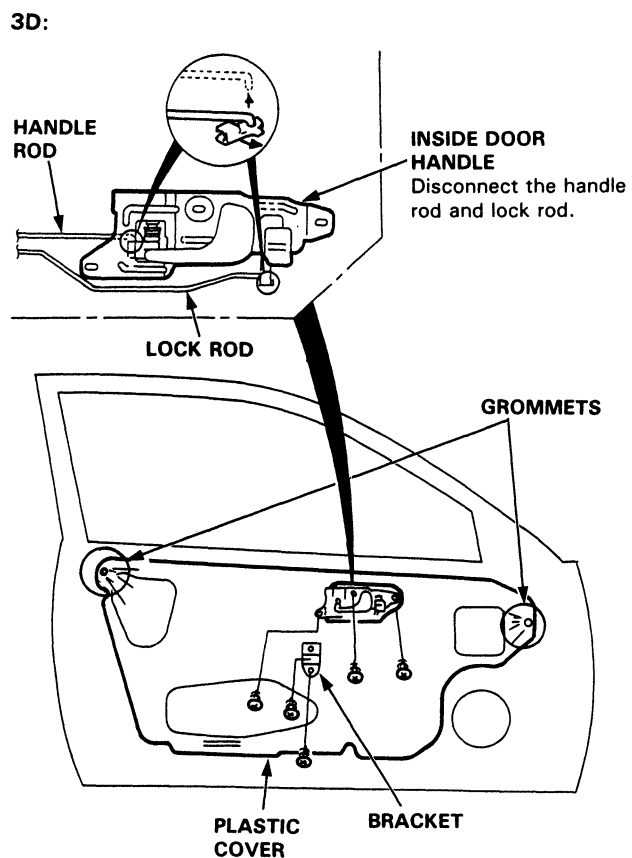
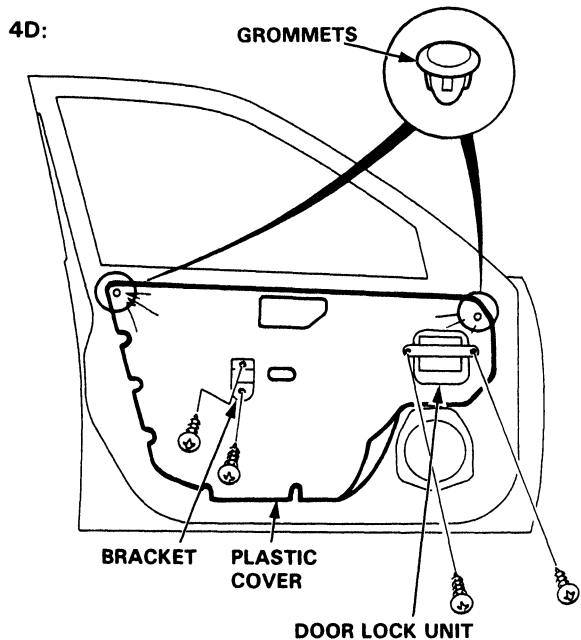
4. Remove the clips attaching the door panel (See trim pad remover). Remove the door panel by pulling it upward. If applicable, disconnect the power window connector.

►: Clip locations (8) ●: Clip locations (1)





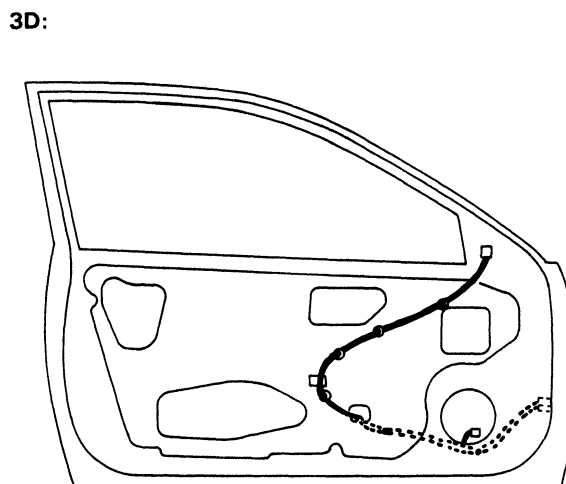
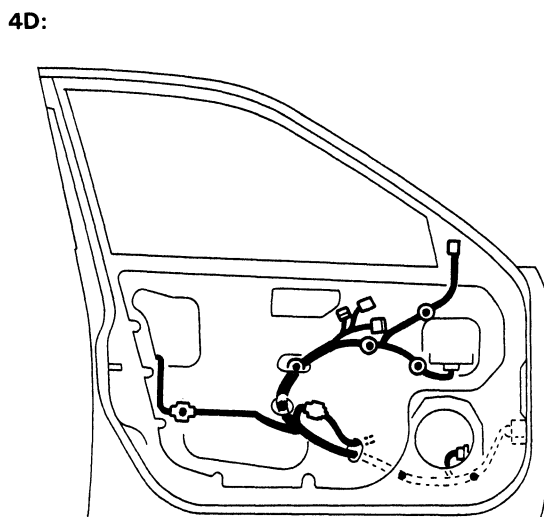
5. Remove the grommets, bracket, door lock unit (4D) and inside door handle (3D), then carefully remove the plastic cover.



6. Install the door panel and plastic cover in the reverse order of removal.

NOTE: Make sure the wire harnesses and connectors are fastened correctly on the door.

●: Harness clip locations

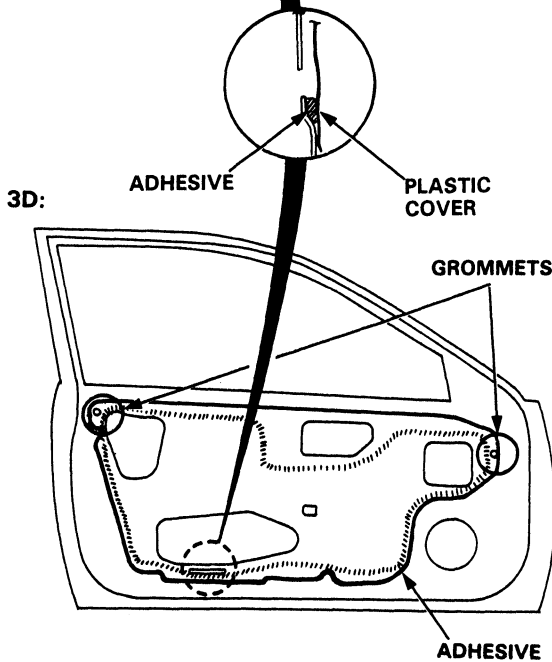
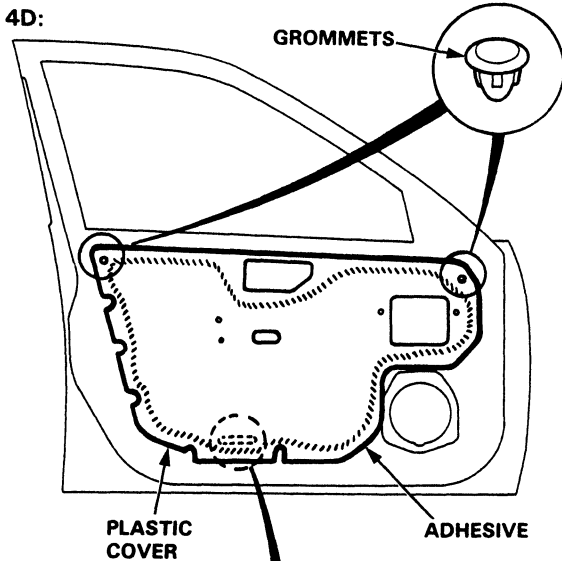


(cont'd)

Front Door

Plastic Cover Replacement (cont'd)

- Apply adhesive along the edge where necessary to maintain a continuous seal and prevent air/water leaks.



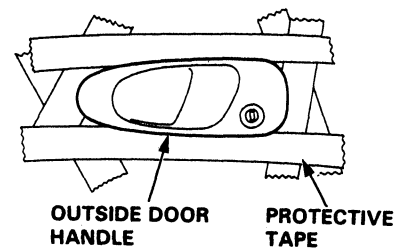
- Before tightening the door panel mounting screws, make sure the wire harnesses are not pinched.

Outside Door Handle Replacement -

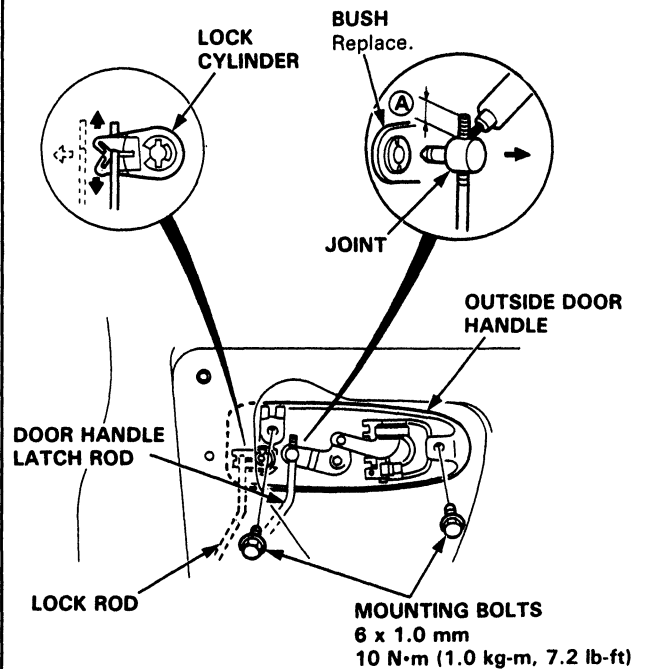
NOTE: Raise the window fully.

1. Remove:
 - Door panel (page 20-4)
 - Plastic cover (page 20-5)
2. Pry the door handle latch rod and lock rod out of their joints using a flat tip screwdriver. Remove the mounting bolts, then remove the outside door handle.

NOTE: Use protective tape around the outside door handle to prevent damage.

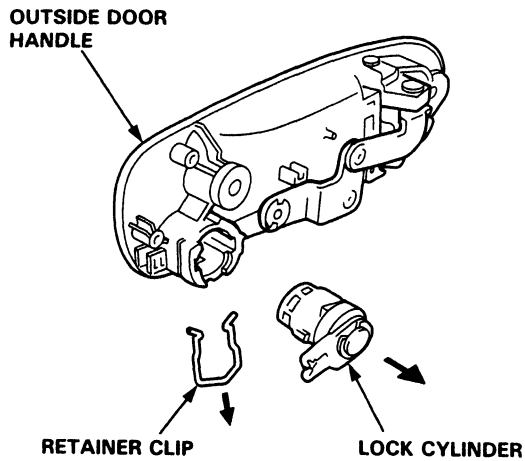


- To ease reassembly, note the location (A) of the rod on the joint before disconnecting it.





3. Pull out the retainer clip, then remove the lock cylinder.



4. Installation is the reverse of the removal procedure.

Door Latch Replacement

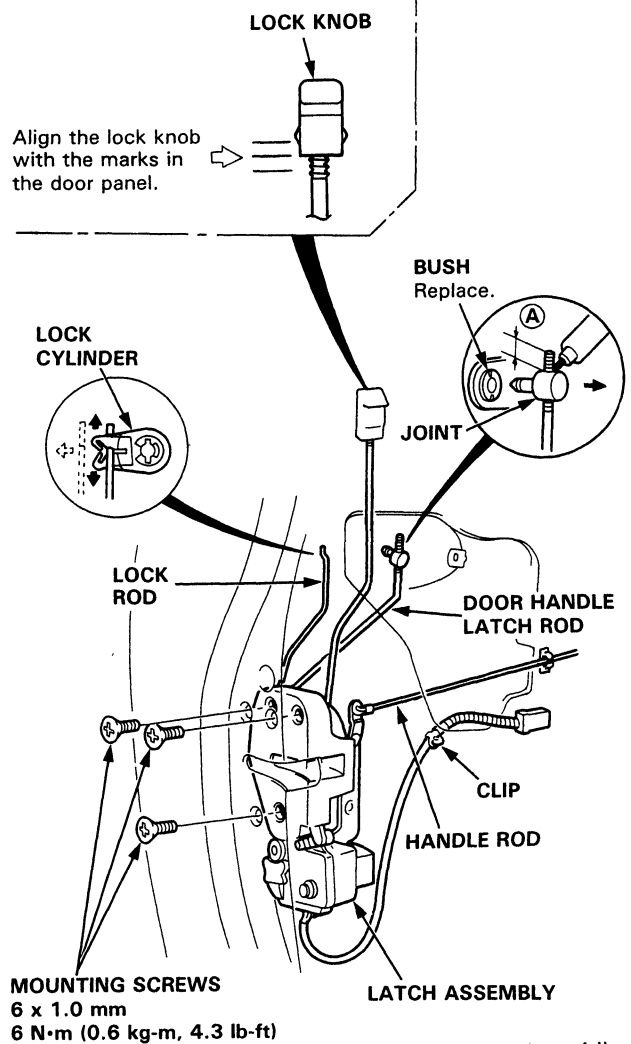
NOTE: Raise the window fully.

1. Remove:
 - Door panel (page 20-4)
 - Plastic cover (page 20-5)
 - Rear channel (page 20-9)
2. Pry the door handle latch rod and lock rod out of its joint using a flat tip screwdriver. Disconnect the connectors from the door. Remove the mounting screws, then remove the latch assembly through the hole in the door.

NOTE:

- Take care not to bend the rods.
- To ease reassembly, note the location (A) of the rod on the joint before disconnecting it.

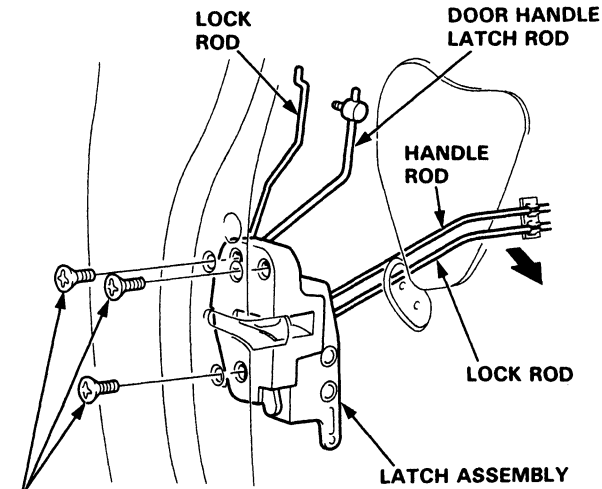
4D:



Front Door

Door Latch Replacement (cont'd)

3D:



MOUNTING SCREWS
6 x 1.0 mm
6 N·m (0.6 kg-m, 4.3 lb-ft)

3. Installation is the reverse of the removal procedure.

Glass/Regulator Replacement

1. Remove:
 - Door panel (page 20-4)
 - Plastic cover (page 20-5)
2. Carefully move the window until you can see its mounting bolts, then loosen the bolts. Slide the guide to the rear, then remove the glass.

Carefully pull the glass out through the window slot.

NOTE: Take care not to drop the glass inside the door.

