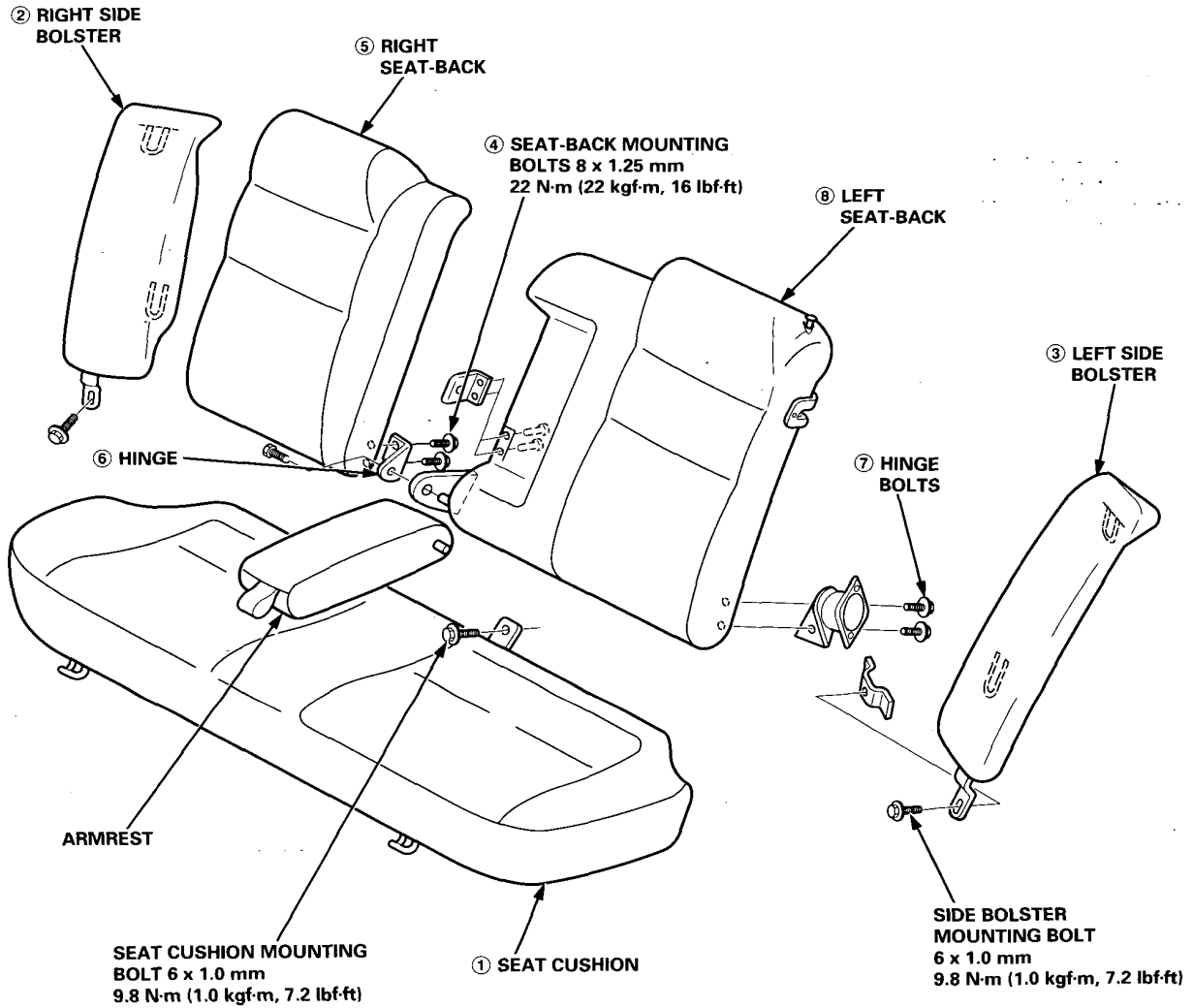


Seat

Rear Seat Replacement

Disassemble in numbered sequence.



Installation is the reverse of the removal procedure.

NOTE: Before attaching the seat-backs, side bolsters and seat cushion, make sure there are no twists or kinks in the rear seat belts and center belt.