

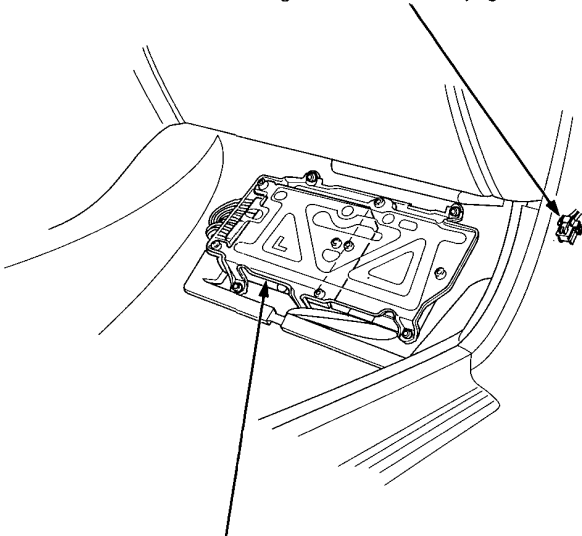
# Component Locations

## Index

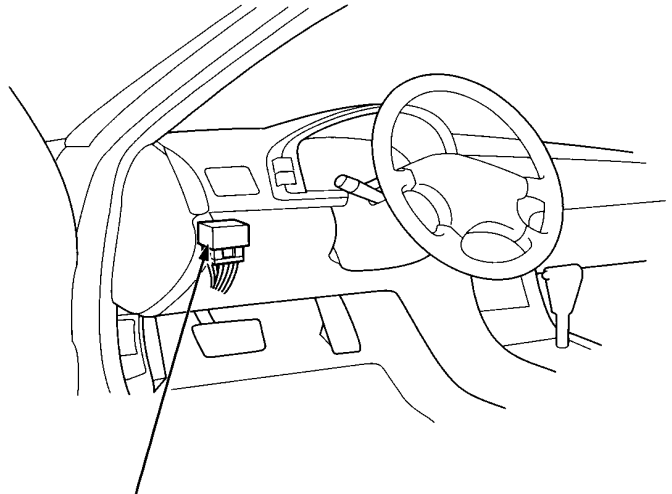
---

### LHD:

**SERVICE CHECK CONNECTOR (2P)**  
Self-diagnostic Procedures, page 11-14



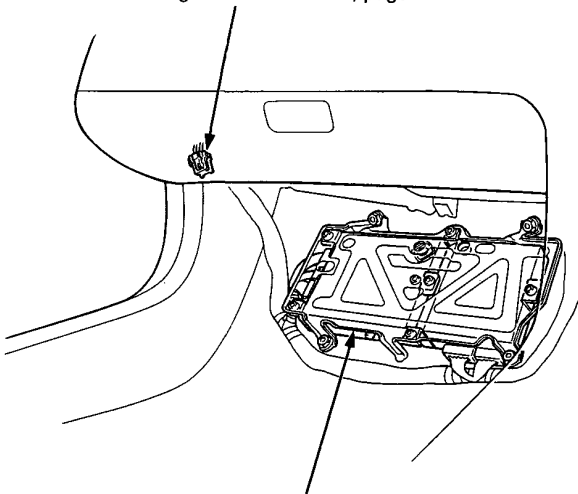
**ENGINE CONTROL MODULE (ECM)**  
Self-diagnostic Procedures, page 11-14  
Troubleshooting, page 11-22



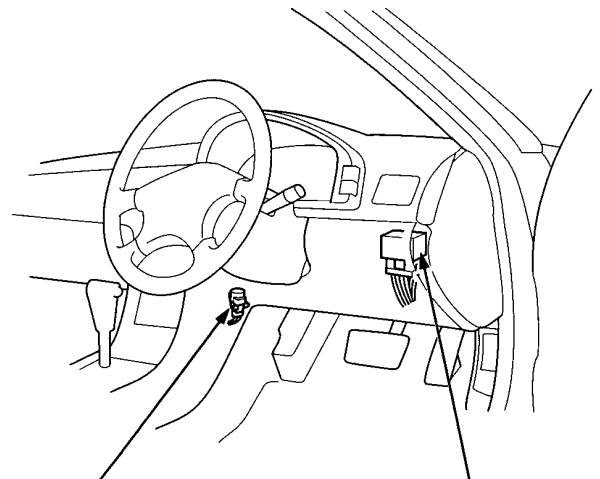
**PGM-FI MAIN RELAY**  
Relay Testing, page 11-86  
Troubleshooting, page 11-88

### RHD:

**SERVICE CHECK CONNECTOR (2P)**  
Self-diagnostic Procedures, page 11-14



**ENGINE CONTROL MODULE (ECM)**  
Self-diagnostic Procedures, page 11-14  
Troubleshooting, page 11-22



**INERTIA SWITCH (KE only)**  
Replacement, page 11-85

**PGM-FI MAIN RELAY**  
Relay Testing, page 11-86  
Troubleshooting, page 11-88