

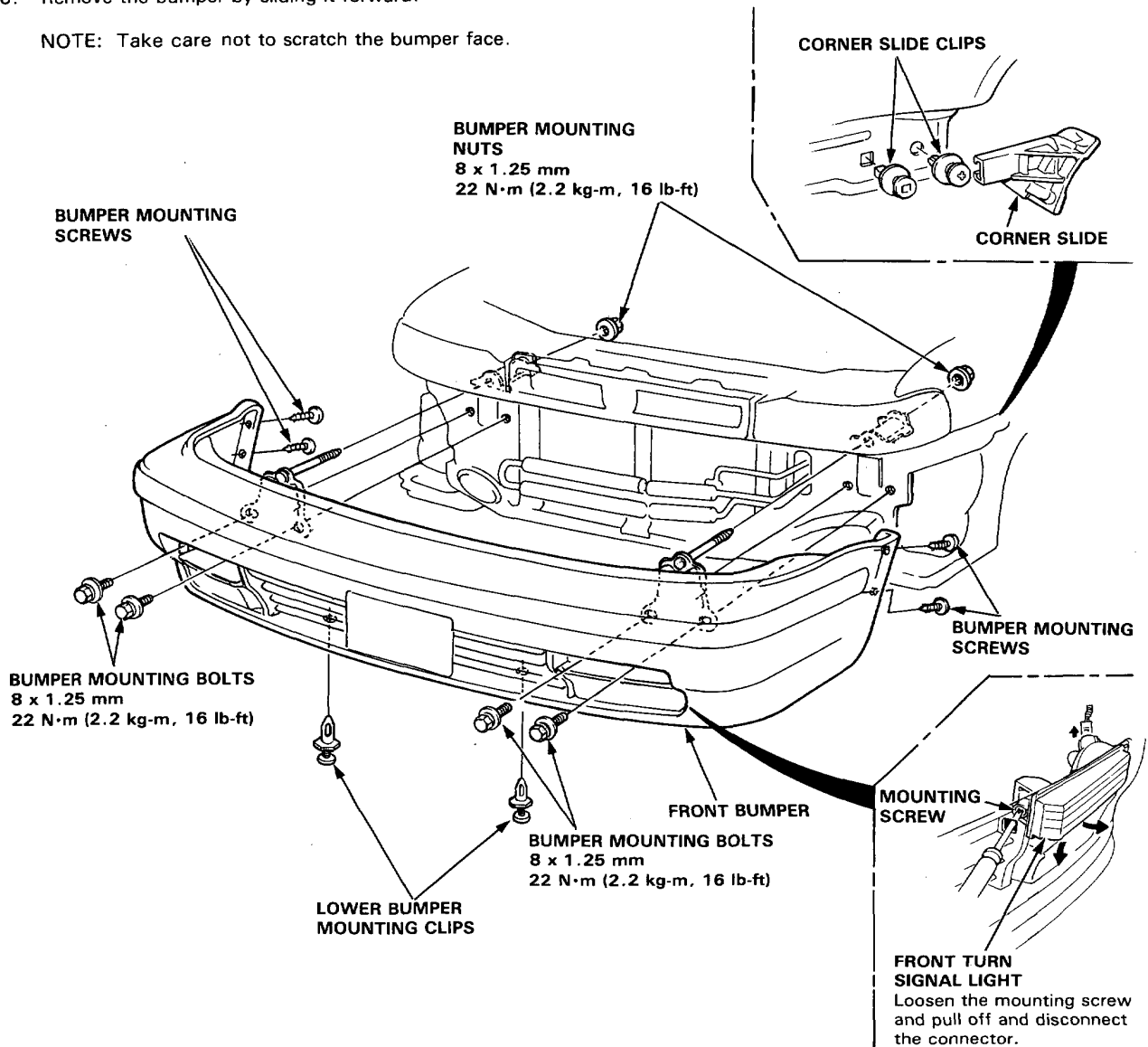
# Front Bumper



## Replacement

1. Open the hood, then remove the bumper mounting nuts.
2. Remove the front turn signal lights.
3. Remove the 2 bumper mounting screws on each side at the corner edge of the bumper.
4. Remove the 2 lower bumper mounting clips and the 4 bumper mounting bolts.
5. Disconnect the headlight washer hose.
6. Remove the bumper by sliding it forward.

NOTE: Take care not to scratch the bumper face.



7. Install parts in the reverse order of removal.