

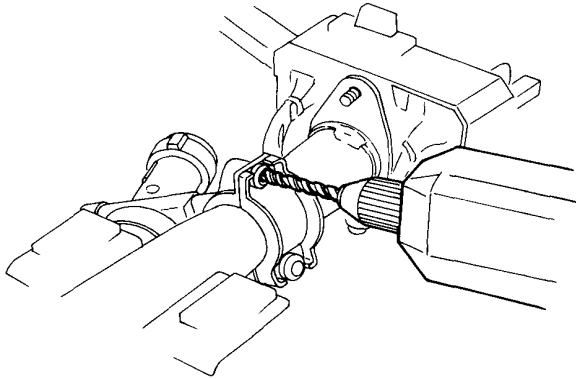
Steering Lock

Steering Lock Replacement

1. Remove the steering column covers.
2. Center punch each of 2 shear bolts and drill their heads off with a 3/8 in. drill bit.

CAUTION: Do not damage the switch body when removing the shear bolt heads.

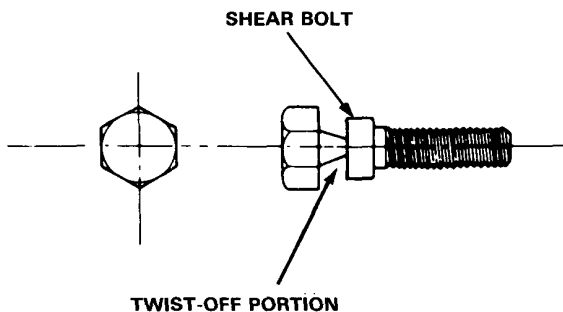
3. Remove the shear bolts from the switch body.



4. Install the new ignition switch without the key inserted.
5. Loosely tighten the new shear bolts.

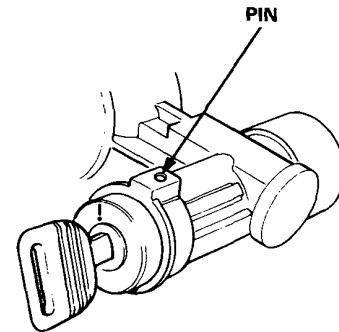
NOTE: Make sure the projection on the ignition switch is aligned with the hole in the steering column.

6. Insert the ignition key and check for proper operation of the steering wheel lock and that the ignition key turns freely.
7. Tighten the shear bolts until the hex heads twist off.

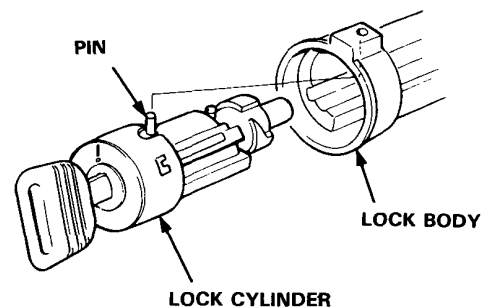


Lock Cylinder Replacement

1. Remove the ignition switch.
2. Turn the ignition key to "I".
3. Push the pin in and remove the lock cylinder from the lock body.



4. Turn the key to "O" and align the lock cylinder with the lock body.
5. Turn slightly the key almost to "I" and insert the lock cylinder until the pin touches the body.
6. Turn the key to the "I", push the pin and insert the lock cylinder into the lock body until the pin clicks into place.



7. Install the ignition switch.